



TRU-FRAME®  
A name you can build on.

ORDER  QUOTE  (Check One)

**"KI" Series (nail on fin) Vinyl Greenhouse Window**  
**Fax Number: 888-526-4329**

DATE: \_\_\_\_\_

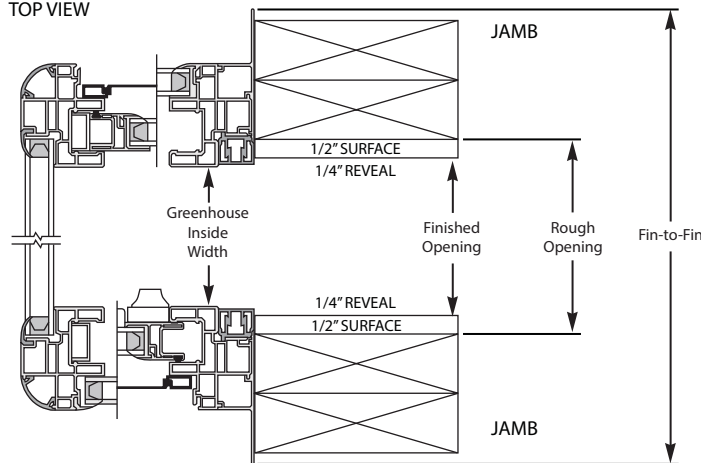
DEALER: \_\_\_\_\_

JOB NAME/PO#: \_\_\_\_\_

1. **QUANTITY** (Same Specifications): \_\_\_\_\_

2. **GLAZING** (Insulated Only):
- Standard (Low-E2 top, clear front & sides)
  - Special Glass (Please Specify Type): \_\_\_\_\_

TOP VIEW



Top Front Sides

Tempered Glass (All Panels Only)

Call Customer Service for pricing on Special Glass Options.

3. **FRAME DIMENSIONS:**

Standard Frame Sizes (For Special Glazing)

Width \_\_\_\_\_ x Height \_\_\_\_\_

Special Frame Sizes (Refer To Diagram At Left)

Please provide where dimensions are taken from:

- Greenhouse Inside Dimension (GID)
- Finished Opening (FO)
- Rough Opening (RO)

Width \_\_\_\_\_ x Height \_\_\_\_\_

\$60.00 NET add to next larger size for Special Frame Sizes.

4. **FRAME COLOR:**

- White
- Almond
- Tan
- Other (Specify): \_\_\_\_\_

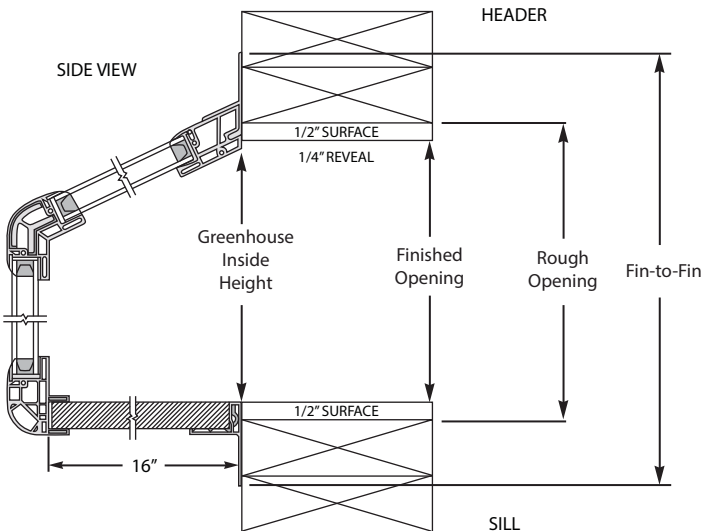
Call Customer Service for pricing on special color options.

5. **TEMPERED GLASS SHELF:**

- Tempered Glass Shelf (Standard)
- Aluminum Amplimesh Shelf
- Additional shelves (Quantity): \_\_\_\_\_

I agree to pay in full, within terms, for SPECIAL(s) built to the specifications above. (SPECIALS ARE NON-RETURNABLE).

SIDE VIEW



Authorized Signature

Order Date

Patent No. D320-952  
Patent #: 6,588,146 B1