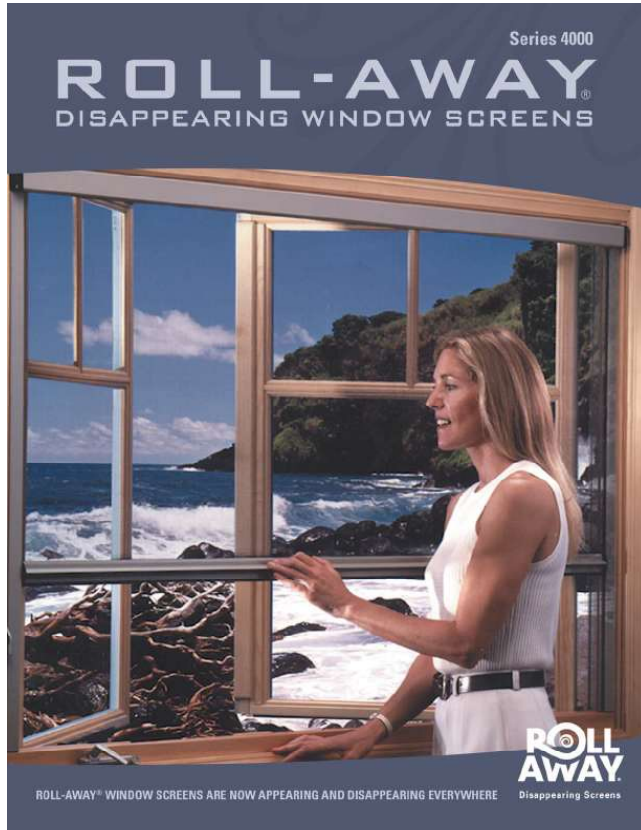


TRU-FRAME®
A name you can build on.



SECTION R

ROLL AWAY® Vintage Series 2000

LIST PRICING

2-3/8" Canopy - Brite Bronze only

WIDTH — All measurements in inches

HEIGHT	18"	24"	30"	36"	42"	48"	60"
	24"	\$324.50	\$339.50	\$355.50	\$377.50	\$387.50	\$404.00
30"	\$334.50	\$352.50	\$374.00	\$387.50	\$406.50	\$427.00	\$530.00
36"	\$344.00	\$365.00	\$386.50	\$404.00	\$427.00	\$444.50	\$558.00
42"	\$352.50	\$379.50	\$398.00	\$425.00	\$437.00	\$467.50	\$583.00
48"	\$365.00	\$387.50	\$413.00	\$435.50	\$462.00	\$485.00	\$610.00
54"	\$377.50	\$402.00	\$428.00	\$450.00	\$479.50	\$506.50	\$635.50
60"	\$386.50	\$413.00	\$437.00	\$469.00	\$492.50	\$527.50	\$662.50
66"	-	\$427.00	\$453.00	\$485.00	\$515.00	\$542.00	\$689.00
72"	-	\$435.50	\$469.00	\$501.50	\$532.50	\$564.00	\$715.50
78"	-	-	\$484.00	\$515.00	\$546.50	\$583.00	-
84"	-	-	\$492.50	\$532.50	\$567.00	-	-

Minimum width = 14" (60" max height)

PART NUMBERS: Example - R21WBZ2424

CLASS	DRAWBAR	FINISH	SCREEN TYPE	SIZE
R	20 = Standard 21 = Reverse	B = Bronze <input checked="" type="checkbox"/> W = White <input type="checkbox"/>	BZ = Brite Bronze	Dimensions from price list

NOTE: Price is determined by using the next largest width and/or height
CUSTOM UNITS CANNOT BE CANCELLED OR RETURNED.

MEASUREMENTS: Give the exact size desired to the nearest 1/16"
Size will be determined by installation location
Manufacturing tolerances are +0", -1/16"

FINISH: Bronze or White Paint
Custom colors available - contact factory

SCREEN: Brite Bronze wire 18 x 14 mesh - 0.009/0.011 thickness (33/36 GA).
No other screen options available on Series 2000 Roll-Away®.

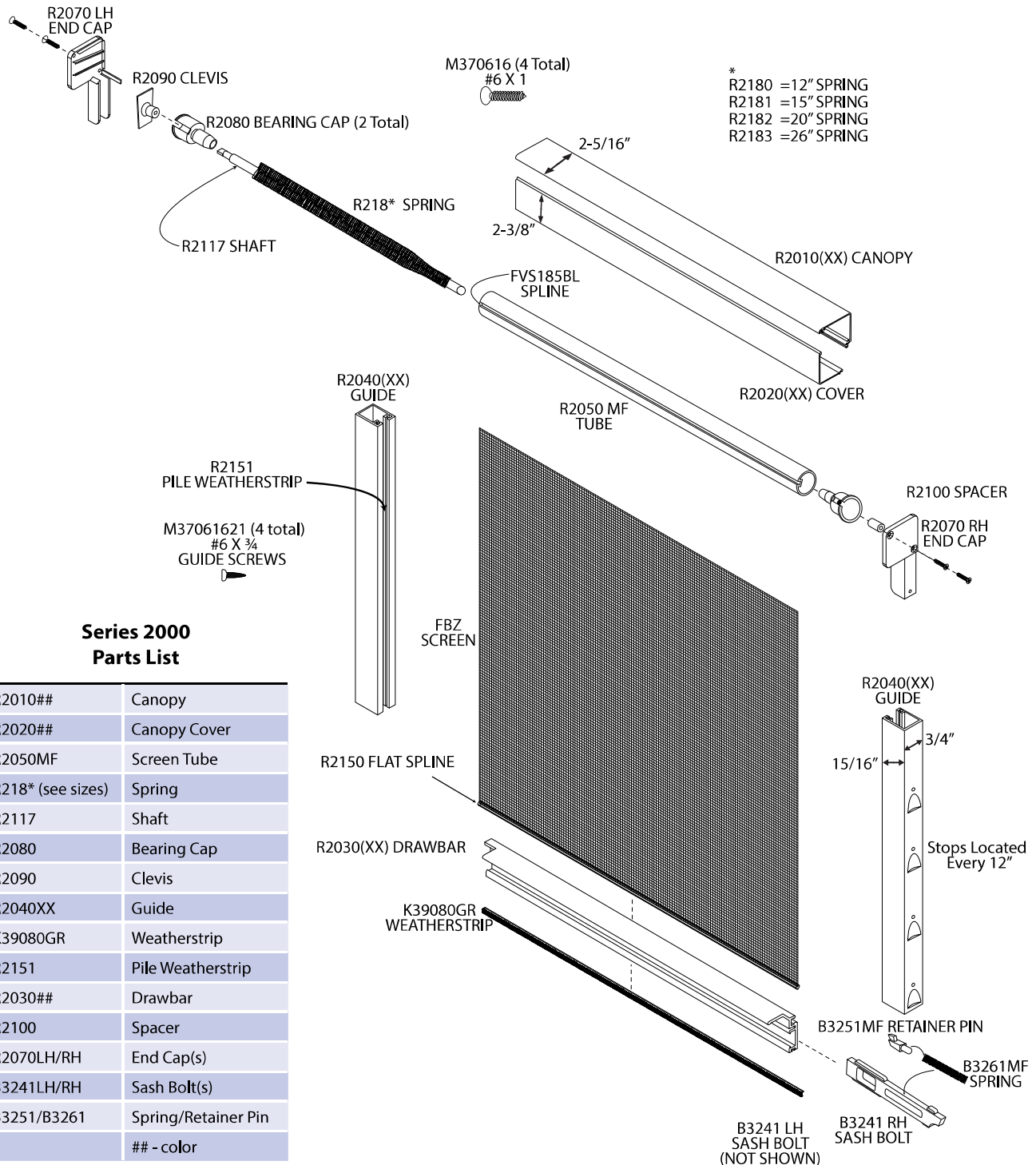
SAMPLES: Bronze Paint - R20 BBZ 0000
White Paint - R20 WH 0000
Samples available \$191.00 List
Samples include finished Wood Frame (see 'Displays & Hand Samples' in front of Catalog)

PACKAGING: See Packaging Chart located in "Shipping Terms and Conditions" to calculate Packaging Fees for orders shipping Common Carrier.



TRU-FRAME®
A name you can build on.

ROLL AWAY® Series 2000 Parts Detail



**Series 2000
Parts List**

R2010##	Canopy
R2020##	Canopy Cover
R2050MF	Screen Tube
R218* (see sizes)	Spring
R2117	Shaft
R2080	Bearing Cap
R2090	Clevis
R2040XX	Guide
K39080GR	Weatherstrip
R2151	Pile Weatherstrip
R2030##	Drawbar
R2100	Spacer
R2070LH/RH	End Cap(s)
B3241LH/RH	Sash Bolt(s)
B3251/B3261	Spring/Retainer Pin
## - color	

ROLL AWAY® Contemporary Series 4000

1-7/8" Canopy

WIDTH — All measurements in inches

HEIGHT	18"	24"	30"	36"	42"	48"	60"	72"
18"	\$1182.50	\$193.00	\$203.00	\$211.00	\$222.50	\$232.00	\$324.00	\$
24"	\$190.50	\$199.50	\$208.50	\$219.50	\$231.00	\$237.00	\$333.00	\$
30"	\$197.00	\$206.00	\$218.50	\$230.00	\$235.50	\$249.00	\$344.00	\$372.50
36"	\$203.00	\$212.00	\$224.50	\$234.00	\$247.50	\$253.00	\$351.00	\$385.00
42"	\$208.50	\$219.50	\$232.00	\$242.00	\$251.50	\$260.00	\$363.00	\$365.00
48"	\$218.50	\$230.00	\$237.00	\$249.00	\$259.00	\$273.50	\$375.50	\$402.00
54"	\$223.50	\$234.00	\$247.50	\$253.00	\$269.50	\$280.50	\$388.50	\$414.50
60"	\$231.00	\$242.50	\$251.50	\$260.00	\$274.50	\$286.50	\$397.00	\$428.50
66"	\$235.50	\$249.00	\$259.00	\$270.50	\$283.00	\$293.50	\$410.00	\$439.50
72"	\$247.50	\$251.50	\$266.50	\$280.50	\$292.50	\$304.00	\$421.50	\$451.50
78"	-	\$259.00	\$274.50	\$286.50	\$299.00	\$310.50	\$429.50	-
84"	-	\$	\$280.50	\$293.50	\$306.00	\$319.50	-	-

Minimum width = 14" (60" Max Height)

PART NUMBERS: Example - R41WH012424

CLASS	DRAWBAR	FINISH	SCREEN TYPE	SIZE
R	40 = Standard 41 = Reverse	 = Bronze  = Black  = Desert Sand  = White  = Champagne Beige	01 - 18x14x0.013 Rigid Charcoal Fiberglass	Dimensions from price list

NOTE: Price is determined by using the next largest width and/or height
CUSTOM UNITS CANNOT BE CANCELLED OR RETURNED.

MEASUREMENTS: Give the exact size desired to the nearest 1/16"
Size will be determined by installation location
Manufacturing tolerances are +0", -1/16"

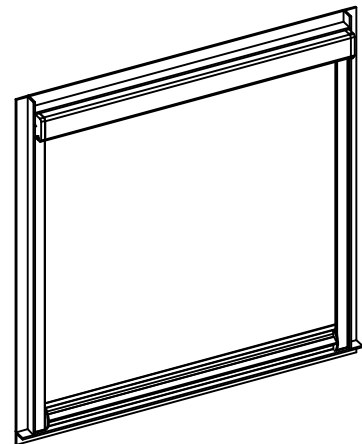
FINISH: Bronze, White, Black, Champagne Beige, Desert Sand
Custom colors are available – Call for quote.

SCREEN: 18 x 14 mesh 0.013 Rigid Charcoal Fiberglass

FEATURES: Low profile designed housing, spring tension adjuster, Mesh Lock™,
Magnetic guide locks, smooth gliding weather-stripped drawbar.

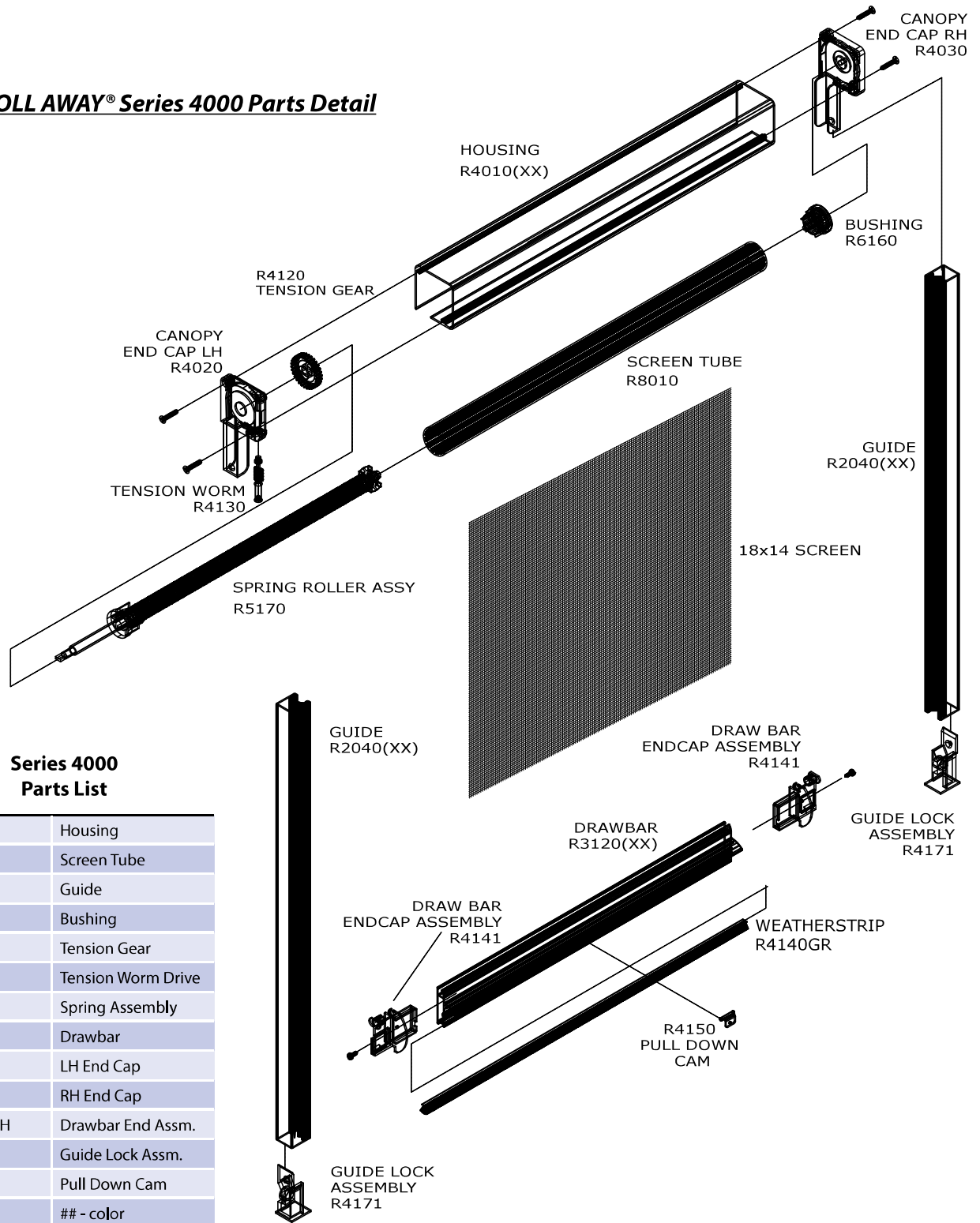
SAMPLES: White - R40WH0100
Bronze - R40BR0100
Samples available \$191.00 List
Samples include finished Wood Frame (see 'Displays & Hand Samples' in front of Catalog)

PACKAGING: See Packaging Chart located in "Shipping Terms and Conditions" to calculate Packaging Fees for orders shipping
Common Carrier.



TRU-FRAME®
A name you can build on.

ROLL AWAY® Series 4000 Parts Detail



**Series 4000
Parts List**

R4010##	Housing
R8010	Screen Tube
R2040XX	Guide
R6160	Bushing
R4120	Tension Gear
R4130	Tension Worm Drive
R5170	Spring Assembly
R3120##	Drawbar
R4020LH	LH End Cap
R4030RH	RH End Cap
R4141LH/RH	Drawbar End Assm.
R4171	Guide Lock Assm.
R4150	Pull Down Cam
##	- color

SECTION R

ROLL AWAY[®] Series 6000 Inside Mount



ROLL AWAY[®]
Disappearing Screen Door

- 1-7/8" Rounded Housing
- 18 x 14 Stiff Charcoal Fiber
- Die Cast Auto-Latch™ handle set
- Best screen Solution for French Doors
- Custom colors available
- Installs inside the jamb

Assembled — Inside Mount

LIST PRICE

Product Code	Description	Dimensions	Price
R6000##F36	Single Screen Door	Up to 36" x 82"	\$465.00
R6001##F36	Single Screen Door	Up to 36" x 96"	\$504.50
R6050##F72	French Door Set	Up to 72" x 82"	\$920.00
R6051##F72	French Door Set	Up to 72" x 96"	\$1022.00

ORDERING: The doors above are made to order and require opening measurements to the nearest 1/16". Single doors must be designated as "RH" (housing on right, rolls from right to left as viewed from the outside looking in) or "LH" for left to right. Specify French Door handing as OX or XO ("X" represents active door).

KD Kit — Inside Mount

Product Code	Description	Dimensions	Price
R6000##K36	Single Screen Door	Up to 36" x 82"	\$445.00
R6001##K36	Single Screen Door	Up to 36" x 96"	\$486.00
R6050##K72	French Door Set	Up to 72" x 82"	\$867.50
R6051##K72	French Door Set	Up to 72" x 96"	\$973.00

Roll-Away[®] Series 6000 KD doors are furnished oversize and require fabrication for final assembly.

Product Code	Description	Dimensions	Price
R600WHSMPL	Single Door Sample with Frame	16" x 20"	\$235.00
R605WHSMPL	French Door Sample with Frame	28.5" x 20"	\$329.00

FINISHES: White (□), Champagne Beige (■), Bronze (■), Black (■), Desert Sand (■)

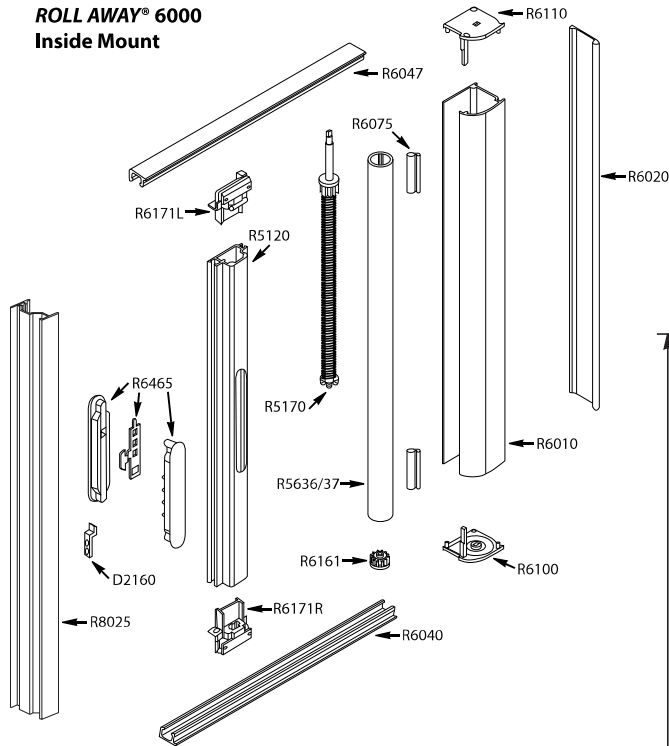
SCREEN: Roll-Away[®] Doors are screened with 18 x 14 Stiff Charcoal Fiber.

CUSTOM UNITS CANNOT BE CANCELLED OR RETURNED.

PACKAGING: See [Packaging Chart](#) located in "Shipping Terms and Conditions" to calculate Packaging Fees for Common Carrier orders.

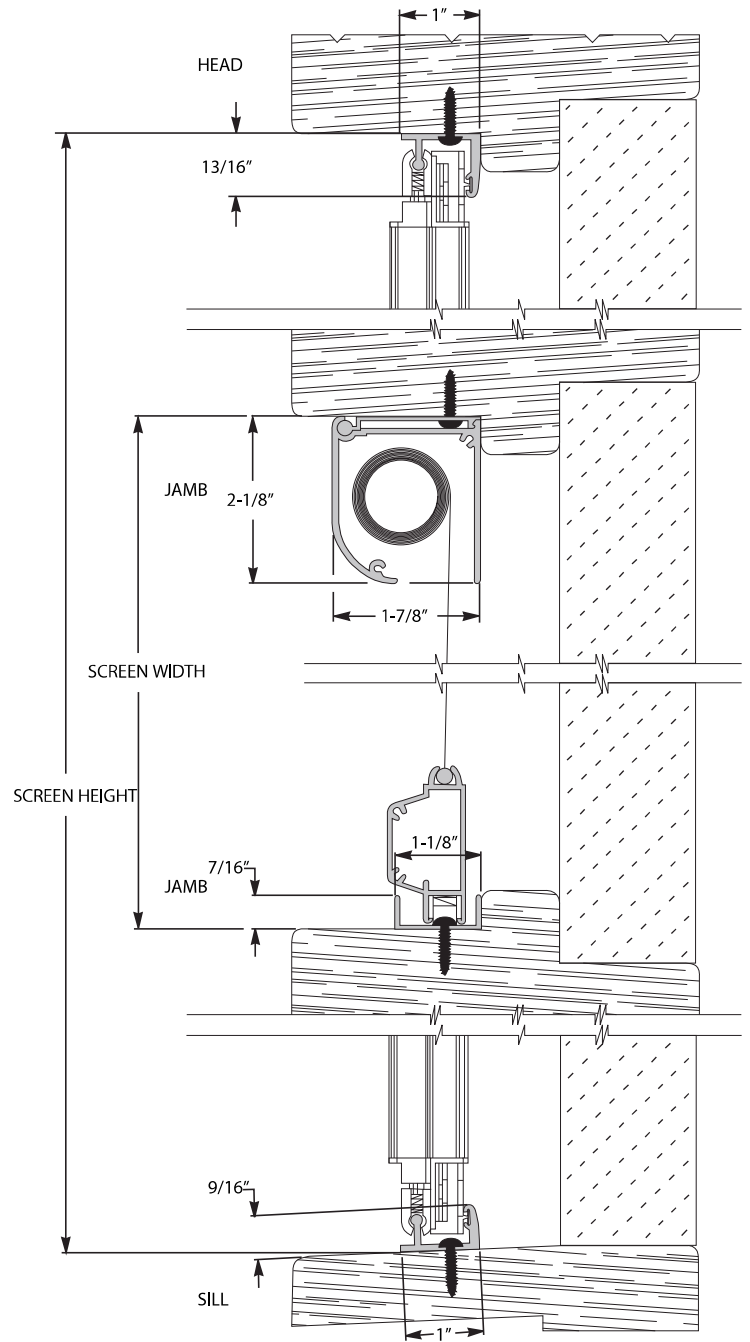
TRU-FRAME®
A name you can build on.

ROLL AWAY® 6000
Inside Mount



Series 6000 Inside Mount
Parts List

R5120##	Drawbar
R5636MF	Tube with Screen 82"
R5637MF	Tube with Screen 96"
R5170	Spring Roller Assembly
R8025##	Closer
D2160	Stainless Steel Strike & Screw Assembly
R6465BL/WH	Handle Assembly with Strike
R6010##	Housing
R6020##	Hinge
R6040##	Sill Track
R6047##	Head Track
R6075BL/WH	PVC Cushion
R6110BL/WH	Housing End Cap - LH
R6100BL/WH	Housing End Cap - RH
R6161BL/WH	Bushing with Pin
R6171(BL/WH)L	Drawbar End Cap Assembly - LH
R6171(BL/WH)R	Drawbar End Cap Assembly - RH
##	- Door color



ROLL AWAY[®] Series 6500 Surface Mount



ROLL AWAY[®]
Disappearing Screen Door

- 1-7/8" Rounded Housing
- 18 x 14 Stiff Charcoal Fiber
- Die Cast Auto-Latch™ handle set
- Best screen Solution for French Doors
- Custom colors available
- Installs on surface of door opening

Assembled — Surface Mount

LIST PRICE

R6500##F36	Single Screen Door	Up to 36" x 82"	\$505.00
R6501##F36	Single Screen Door	Up to 36" x 96"	\$547.00
R6550##F72	French Door Set	Up to 72" x 82"	\$992.00
R6551##F72	French Door Set	Up to 72" x 96"	\$1,099.00

ORDERING: The doors above are made to order and require opening measurements to the nearest 1/16". Single doors must be designated as "RH" (housing on right, rolls from right to left as viewed from the outside looking in) or "LH" for left to right. Specify French Door handing as OX or XO ("X" represents active door).

KD Kit — Surface Mount

R6500##K36	Single Screen Door	Up to 36" x 82"	\$482.00
R6501##K36	Single Screen Door	Up to 36" x 96"	\$524.50
R6550##K72	French Door Set	Up to 72" x 82"	\$929.50
R6551##K72	French Door Set	Up to 72" x 96"	\$1,039.00

Roll-Away[®] Series 6500 KD doors are furnished oversize and require fabrication for final assembly.

R650WHSMP	Single Door Sample with Frame	16" x 20"	\$235.00
R655WHSMP	French Door Sample with Frame	28.5" x 20"	\$329.00

FINISHES: White (□), Champagne Beige (■), Bronze (■), Black (■), Desert Sand (■)

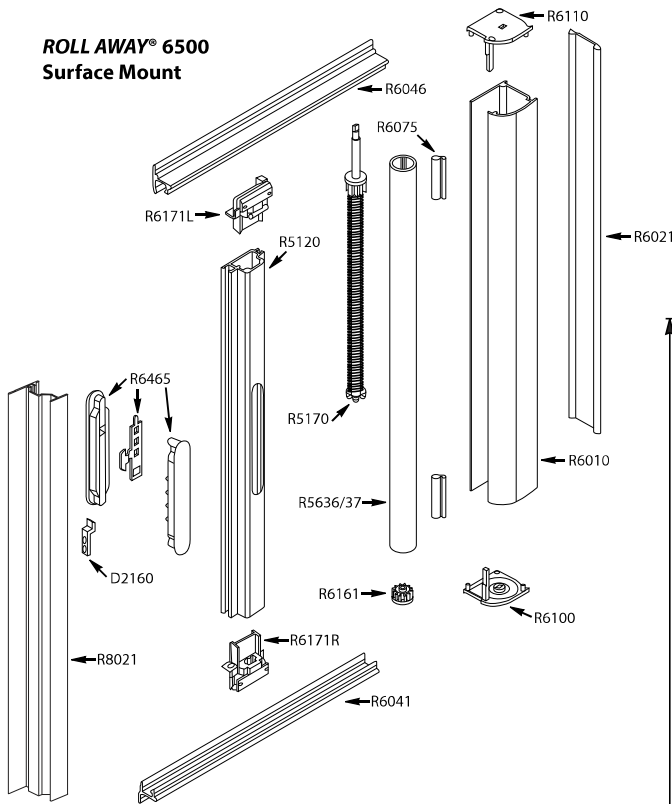
SCREEN: Roll-Away[®] Doors are screened with 18 x 14 Stiff Charcoal Fiber

CUSTOM UNITS CANNOT BE CANCELLED OR RETURNED.

PACKAGING: See [Packaging Chart](#) located in "Shipping Terms and Conditions" to calculate Packaging Fees for Common Carrier orders.

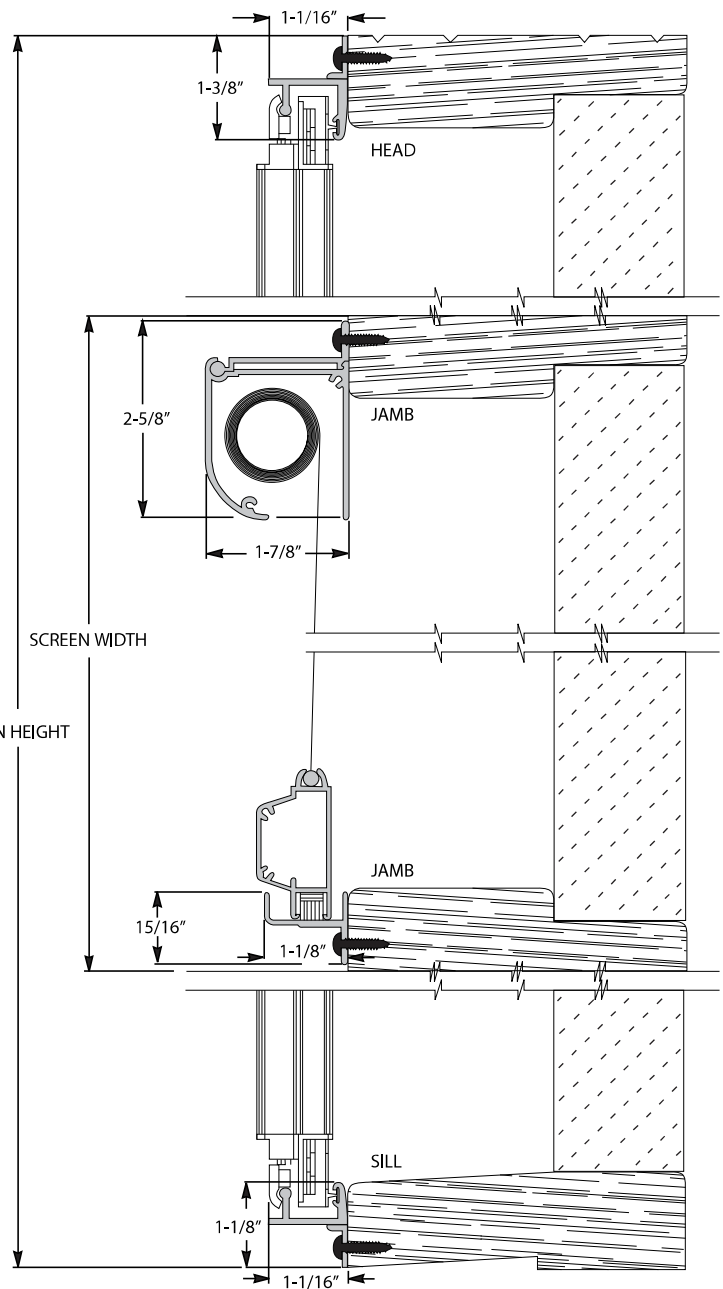
TRU-FRAME®
A name you can build on.

ROLL AWAY® 6500
Surface Mount



Series 6500 Surface Mount
Parts List

R5120##	Drawbar
R5636MF	Tube with Screen 82"
R5637MF	Tube with Screen 96"
R5170	Spring Roller Assembly
R8021##	Facemount Closer
D2160	Stainless Steel Strike & Screw Assm.
R6465BL/WH	Handle Assembly with Strike
R6010##	Housing
R6021##	Surface Mount Hinge
R6041##	Sill Track
R6046##	Head Track
R6075BL/WH	PVC Cushion
R6110BL/WH	Housing End Cap - LH
R6100BL/WH	Housing End Cap - RH
R6161BL/WH	Bushing with Pan
R6171(BL/WH)L	Drawbar End Cap Assembly - LH
R6171(BL/WH)R	Drawbar End Cap Assembly - RH
##	## - Door color



ROLL AWAY[®] Series 7000 Inside Mount



ROLL AWAY[®]
Disappearing Screen Door
With MAGNALOCK[™] SEAL &
Easy-To-Grasp Handle

- 1-7/8" Rounded Housing
- 18 x 14 Stiff Charcoal Fiber
- Best screen Solution for French Doors
- Custom colors available
- Easy-To-Grasp Handle
- Magnalock[™] Seal
- Installs inside the jamb

Assembled — Inside Mount

LIST PRICE

R7000##F36	Single Screen Door	Up to 36" x 82"	\$498.00
R7001##F36	Single Screen Door	Up to 36" x 96"	\$540.50
R7050##F72	French Door Set	Up to 72" x 82"	\$969.50
R7051##F72	French Door Set	Up to 72" x 96"	\$1,075.50

ORDERING: The doors above are made to order and require opening measurements to the nearest 1/16". Door handing not required on Series 7000 doors.

KD Kit — Inside Mount

R7000##K36	Single Screen Door	Up to 36" x 82"	\$460.00
R7001##K36	Single Screen Door	Up to 36" x 96"	\$501.50
R7050##K72	French Door Set	Up to 72" x 82"	\$881.50
R7051##K72	French Door Set	Up to 72" x 96"	\$988.50

Roll-Away[®] Series 7000 KD doors are furnished oversize and require fabrication for final assembly.

R700WHSMPL	Single Door Sample with Frame	16" x 20"	\$235.00
R705WHSMPL	French Door Sample with Frame	28.5" x 20"	\$329.00

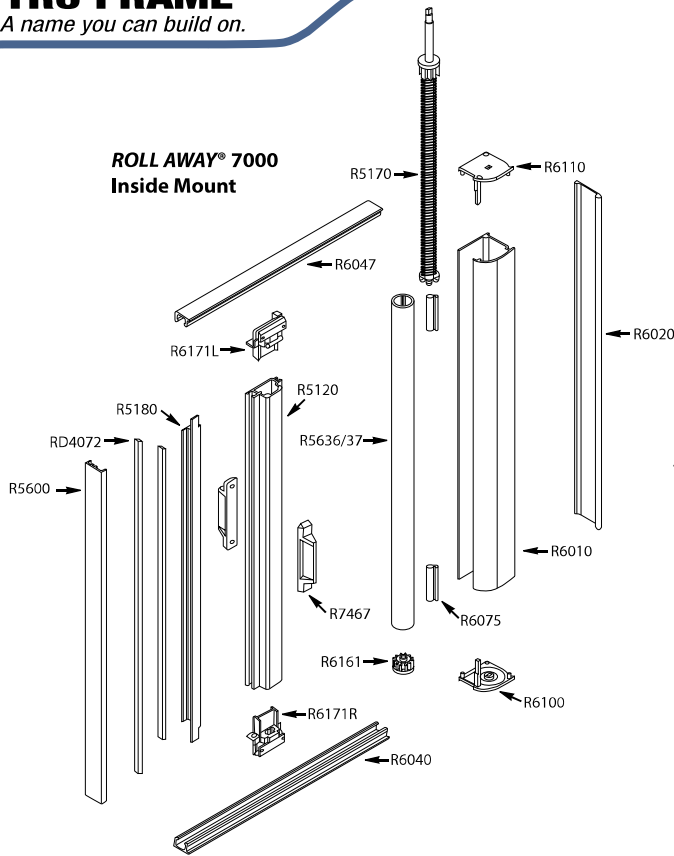
FINISHES: White (□), Champagne Beige (■), Bronze (■), Black (■), Desert Sand (■)

SCREEN: Roll-Away[®] Doors are screened with 18 x 14 Stiff Charcoal Fiber.

CUSTOM UNITS CANNOT BE CANCELLED OR RETURNED.

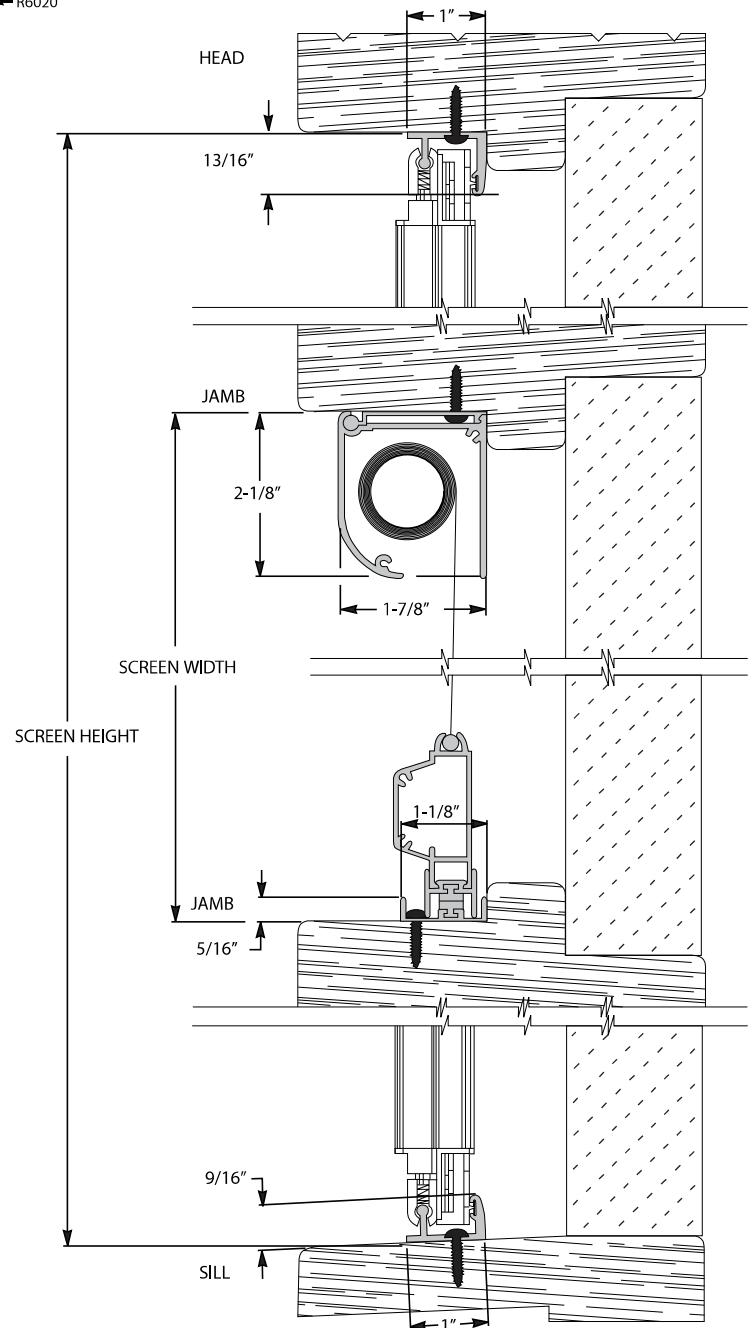
PACKAGING: See [Packaging Chart](#) located in "Shipping Terms and Conditions" to calculate Packaging Fees for Common Carrier orders.

TRU-FRAME®
A name you can build on.

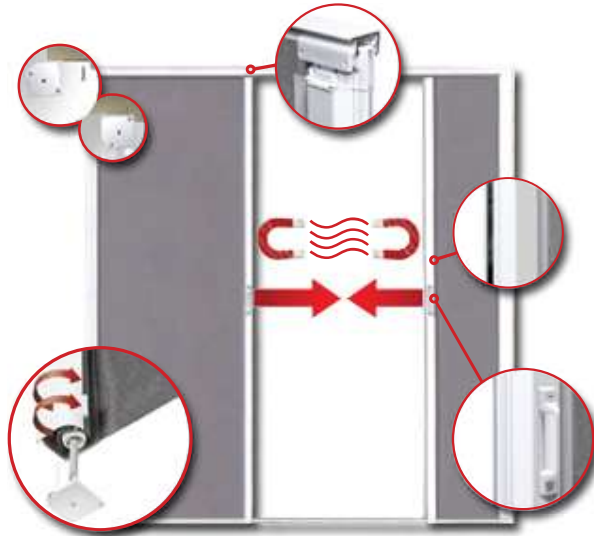


**Series 7000 Inside Mount
Parts List**

R5120##	Drawbar
R5636MF	Tube with Screen 82"
R5637MF	Tube with Screen 96"
R5170	Spring Roller Assembly
R5180##	Astragal
R5600##	Closer Jamb
R6010##	Housing
R6020##	Hinge
R6040##	Sill Track
R6047##	Head Track
R6075BL/WH	PVC Cushion
R6110BL/WH	Housing End Cap - LH
R6100BL/WH	Housing End Cap - RH
R6161BL/WH	Bushing with Pin
R6171(BL/WH)L	Drawbar End Cap Assembly - LH
R6171(BL/WH)R	Drawbar End Cap Assembly - RH
R7467BL/WH	Pull Handle
RD4072	Magnet
##	- Door color



ROLL AWAY[®] Series 7500 Surface Mount



ROLL AWAY[®]
Disappearing Screen Door
With MAGNALOCK[™] SEAL &
Easy-To-Grasp Handle

- 1-7/8" Rounded Housing
- 18 x 14 Stiff Charcoal Fiber
- Best screen Solution for French Doors
- Custom colors available
- Easy-To-Grasp Handle
- Magnalock[™] Seal
- Installs on surface of door opening

Assembled — Surface Mount

LIST PRICE

Product Code	Description	Dimensions	LIST PRICE
R7500##F36	Single Screen Door	Up to 36" x 82"	\$525.00
R7501##F36	Single Screen Door	Up to 36" x 96"	\$569.00
R7550##F72	French Door Set	Up to 72" x 82"	\$1,033.00
R7551##F72	French Door Set	Up to 72" x 96"	\$1,144.50

ORDERING: The doors above are made to order and require opening measurements to the nearest 1/16". Door handing not required on Series 7500 doors.

KD Kit — Surface Mount

Product Code	Description	Dimensions	LIST PRICE
R7500##K36	Single Screen Door	Up to 36" x 82"	\$487.50
R7501##K36	Single Screen Door	Up to 36" x 96"	\$530.50
R7550##K72	French Door Set	Up to 72" x 82"	\$942.50
R7551##K72	French Door Set	Up to 72" x 96"	\$1,052.50

Roll-Away[®] Series 7500 KD doors are furnished oversize and require fabrication for final assembly.

Product Code	Description	Dimensions	LIST PRICE
R750WHSMP	Single Door Sample with Frame	16" x 20"	\$235.00
R755WHSMP	French Door Sample with Frame	28.5" x 20"	\$329.00

FINISHES: White (□), Champagne Beige (■), Bronze (■), Black (■), Desert Sand (■)

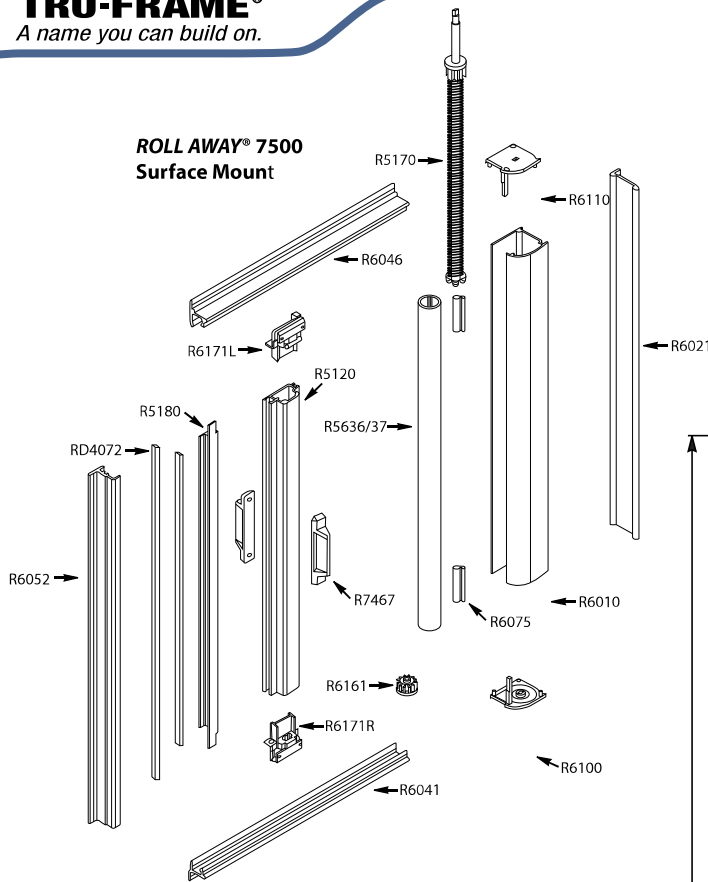
SCREEN: Roll-Away[®] Doors are screened with 18 x 14 Stiff Charcoal Fiber.

CUSTOM UNITS CANNOT BE CANCELLED OR RETURNED.

PACKAGING: See [Packaging Chart](#) located in "Shipping Terms and Conditions" to calculate Packaging Fees for Common Carrier orders.

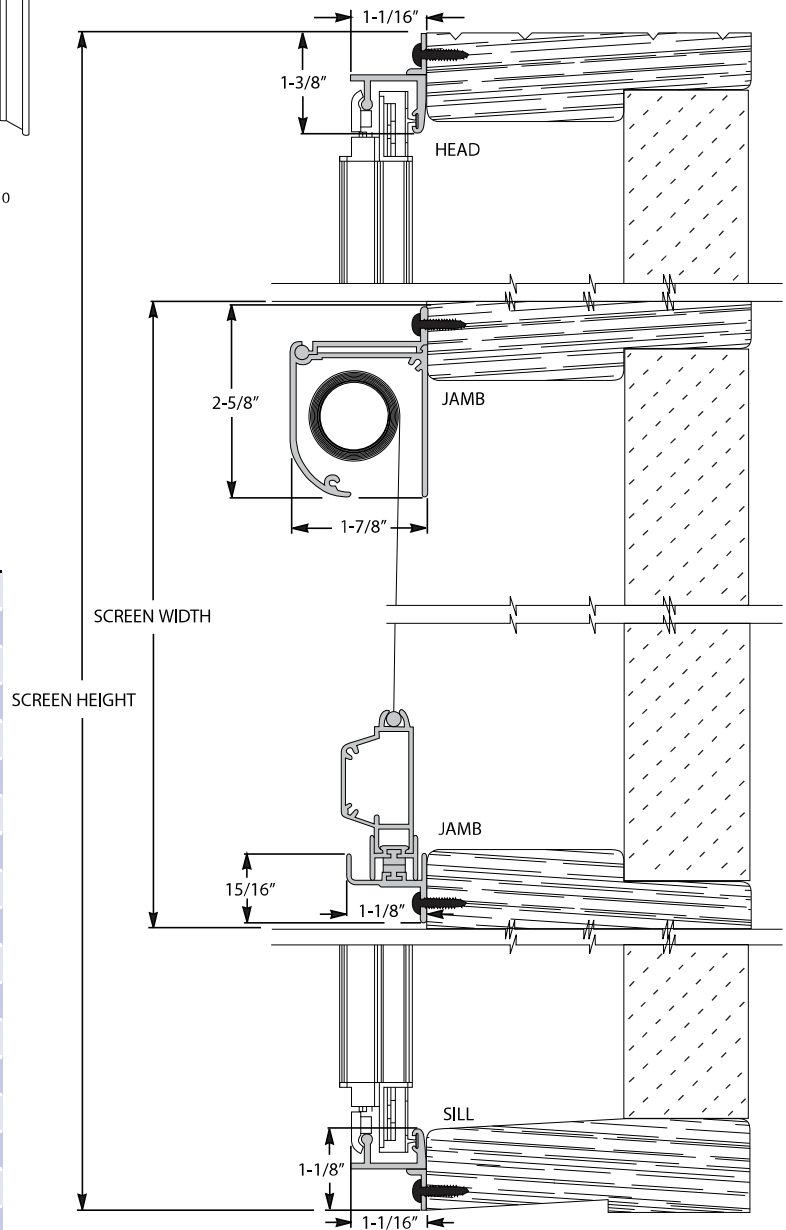
TRU-FRAME®
A name you can build on.

**ROLL AWAY® 7500
Surface Mount**



**Series 7500 Surface Mount
Parts List**

R5120##	Drawbar
R5636MF	Tube with Screen 82"
R5637MF	Tube with Screen 96"
R5170	Spring Roller Assembly
R5180##	Astragal
R6052##	Surface Mount Closer Jamb
R6010##	Housing
R6021##	Surface Mount Closer Jamb
R6041##	Sill Track
R6046##	Head Track
R6075BL/WH	PVC Cushion
R6110BL/WH	Housing End Cap - LH
R6100BL/WH	Housing End Cap - RH
R6161BL/WH	Bushing with Pin
R6171(BL/WH)L	Drawbar End Cap Assembly - LH
R6171(BL/WH)R	Drawbar End Cap Assembly - RH
R7467BL/WH	Pull Handle
RD4072	Magnet
	## - Door color



TRU-FRAME®
A name you can build on.

ROLL AWAY® 2000 Series
Fax Number: 888-526-4329

ORDER QUOTE (Check One)

DATE: _____

DEALER: _____

JOB NAME/PO#: _____

ACCOUNT NO.: _____

SOLD TO:

SHIP TO:

ORDERED BY: _____

PHONE NO.: _____

FAX NO.: _____

2-3/8" Canopy
18x14x.009 Brite Bronze Wire
Dual Locking Devices Built Into Drawbar
Constructed of 6063-T-5 Aluminum Alloy

	QTY	PART NO.	DRAWBAR	FINISH	WIDTH	HEIGHT	NOTES
1							
2							
3							
4							
5							
6							
7							
8							
9							
10							
11							
12							
13							
14							
15							

Example - R21WBZ2424

CLASS	DRAWBAR	FINISH	SCREEN TYPE	SIZE
R	20 = Standard 21 = Reverse	BR = Bronze WH = White	BZ = 18 x 14 x .009 Brite Bronze	Dimensions from price list.

MEASURE TO NEAREST 1/16" FOR OPENING WIDTH AND HEIGHT.
3" CUT-OUTS — MEASURE HEIGHT FROM SILL TO CENTER LINE OF CUT-OUT TO CLEAR CASEMENT FASTENER AND STRIKE PLATE. SPECIFY LEFT OR RIGHT, AS FACING FROM THE INSIDE OUT.



ORDER / QUOTE FORM

R. Lang Company SECTION R

TRU-FRAME®
A name you can build on.

ORDER QUOTE (Check One)

ROLL AWAY® 4000 Series
Fax Number: 888-526-4329

DATE: _____

DEALER: _____

JOB NAME/PO#: _____

ACCOUNT NO.: _____

1-7/8" Canopy
18x14x.013 Rigid Charcoal Fiberglass
Low Profile Designed Housing
Spring Tension Adjuster
Mesh Lock™
Magnetic Guide Locks
Smooth Gliding Weather-Stripped Drawbar

SOLD TO: _____

SHIP TO: _____

ORDERED BY: _____

SHIP VIA: _____

PHONE NO.: _____

FAX NO.: _____

	QTY	CLASS	DRAWBAR	FINISH	SCREEN	ACTUAL WIDTH	ACTUAL HEIGHT	NOTES
1								
2								
3								
4								
5								
6								
7								
8								
9								
10								
Sample Part Number								
		R	40	WH	01	24	36	

CLASS	DRAWBAR	FINISH	SCREEN TYPE	SIZE
R	40 = Standard 41 = Reverse	BR = Bronze WH = White BL = Black CB = Cham. Beige DS = Desert Sand	01 = 18 x 14 Rigid Charcoal Fiberglass	Dimensions from price list.

Screen Option: 20 x 20 BetterVue™ Screening.
Measure to nearest 1/16" for Opening Width & Height.



Visit us at www.rollaway.com for more information

TRU-FRAME®
A name you can build on.

ROLL AWAY® 6000/6500 Series
Fax Number: 888-526-4329

ORDER QUOTE (Check One)

DATE: _____

DEALER: _____

JOB NAME/PO#: _____

ACCOUNT NO.: _____

1-7/8" Rounded Housing
18x14x.013 Rigid Charcoal Fiber
Special Wire Options Available
Die Cast Latch System
Optional Inside or Surface Mount
Smooth Gliding Roller System
Custom Colors Available

SOLD TO: _____

SHIP TO: _____

ORDERED BY: _____

SHIP VIA: _____

PHONE NO.: _____

FAX NO.: _____

	QTY	I/O MOUNT	STYLE/SIZE	FINISH	TYPE	WIDTH	HEIGHT	HANDING
1								
2								
3								
4								
5								
6								
7								
8								
9								
10								

CLASS	I/O MOUNT	STYLE/SIZE	FINISH	TYPE	HANDING
R	60 = Inside Mount	00 = Singles up to 36x82	WH = White	F = Assembled	LH = Housing on Left
R	65 = Surface Mount*	01 = Singles up to 36x96	CB = Champ. Beige	K = KD Kit	RH = Housing on Right
		50 = French Drs up to 72x82	BR = Bronze		OX = French Set Right Door Active
		51 = French Drs up to 72x96	BL = Black		XO = French Set Left Door Active
	*Surface mount measured from outside fin to fin.		DS = Desert Sand		**Handing viewed from outside looking in.

SAMPLE PART NUMBERS:

R6000WHF36 = Single door, inside mount, up to 36" x 82", white finish, assembled. (Assembled doors are cut to size & shipped KD)
R6551BLK72 = French door set, surface mount, size 72" x 96", black finish, KD kit. (No specials on KD doors)

For inside mount, provide opening sizes per details on page 42. Surface mount units require an Outside Fin-to-Fin measurement.

When placing order, please specify if Roll-Away® Screen Door will mount on interior of main door, and the handing (as viewed from the exterior).



ORDER / QUOTE FORM

R. Lang Company SECTION R

TRU-FRAME®
A name you can build on.

ORDER QUOTE (Check One)

ROLL AWAY® 7000/7500 Series
Fax Number: 888-526-4329

- 1-7/8" Rounded Housing
- 18x14x.013 Rigid Charcoal Fiber
- Special Wire Options Available
- Optional Inside or Surface Mount
- Custom Colors Available
- Easy-to-Grasp Handle
- Magnalock™ Seal

DATE: _____

DEALER: _____

JOB NAME/PO#: _____

ACCOUNT NO.: _____

SOLD TO:

SHIP TO:

ORDERED BY: _____

SHIP VIA: _____

PHONE NO.: _____

FAX NO.: _____

	QTY	I/O MOUNT	STYLE/SIZE	FINISH	TYPE	WIDTH	HEIGHT	HANDING
1								
2								
3								
4								
5								
6								
7								
8								
9								
10								

<u>CLASS</u>	<u>I/O MOUNT</u>	<u>STYLE/SIZE</u>	<u>FINISH</u>	<u>TYPE</u>	<u>HANDING</u>
R	70 = Inside Mount	00 = Singles up to 36x82	WH = White	F = Assembled	LH = Housing on Left
R	75 = Surface Mount*	01 = Singles up to 36x96	CB = Champ. Beige	K = KD Kit	RH = Housing on Right
		50 = French Drs up to 72x82	BR = Bronze		OX = French Set Right Door Active
		51 = French Drs up to 72x96	BL = Black		XO = French Set Left Door Active
			DS = Desert Sand		**Handing viewed from outside looking in.

SAMPLE PART NUMBERS:

R7000WHF36 = Single door, inside mount, up to 36" x 82", white finish, assembled. (Assembled doors are cut to size & shipped KD)
R7551BLK72 = French door set, surface mount, size 72" x 96", black finish, KD kit. (No specials on KD doors)

For inside mount, provide opening sizes per details on pages 46. Surface mount units require an Outside Fin-to-Fin measurement.

When placing order, please specify if Roll-Away® Screen Door will mount on interior of main door, and the handing (as viewed from the exterior).



Visit us at www.rollaway.com for more information

