

R7000 Series Installation Instructions (For Inside Mount Doors)



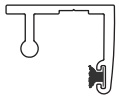
Partially Assembled Unit

TOOLS REQUIRED:

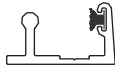
- Tape Measure
- Standard Screwdriver
- Phillips Head Screwdriver
- Drill Motor
- 3/32" Drill Bit
- 1/8" Drill Bit
- 3/16" Drill Bit
- Hack or Chop Saw
- Framing Square
- Level

**IMPORTANT:
REVIEW ALL INSTRUCTIONS
THOROUGHLY
BEFORE STARTING STEP 1**

PARTS INCLUDED:



Head Track
#R6047



Track
#R6040



Closer
#R5600



Handle Set
R7467XX



Flat Head Screws
#6 x 3/4"
#6 x 3/8"
#8 x 3/4"
#6 x 1"



Pan Head Screws
#6 x 1/4"

Step 1

Fabricate / Verify Part Lengths Required

Note:

- Assembled Roll-Away® Screens have already been cut to size. Verify cut size below and proceed to Step 2

Closer (#R5190)
Opening Height minus 1/16"

Track (#R6040 & #R6047)
Opening Width minus 2-3/16

Hinge/Housing assembly opening height minus 1/16".

- For K.D. "Kit" Roll-Away® Screens, please refer to Page 1 of the [Fabrication Instructions](#).

Step 2 Install Housing/hinge

Drill three (3) 3/16" holes in the housing hinge, one approximately 2" from each end, one approximately in the middle. Locate the holes using the screw groove in the hinge (Figure 1). Note: Holes may be pre-drilled from the factory.

Carefully, making sure not to damage the screen, install the Housing hinge against the stop in the jamb using three (3) #6 x 1" flat-head screws provided (Figure 2). Butt the hinge against the stop in the jamb as shown, and screw it into place.

Rotate the housing to its closed position. Snap the housing onto the hinge. Make sure the housing is fully seated on the hinge (Figure 3).

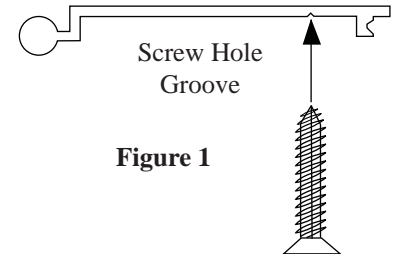


Figure 1

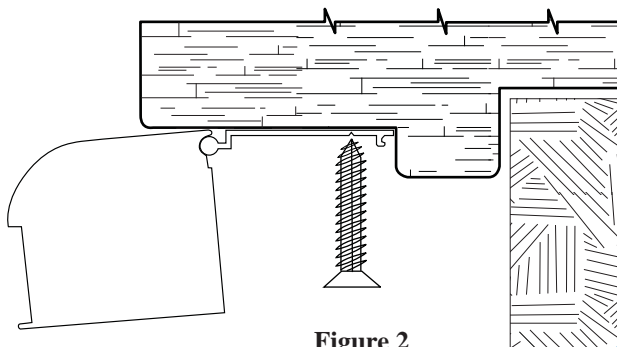


Figure 2

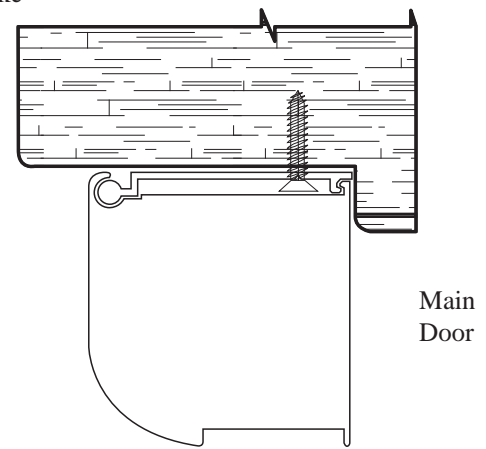


Figure 3

Step 3

Drill two (2) 3/16" holes in the closer (#R5600), approximately 4" from each end, using the mounting screw groove (Figure 4). Note: Holes may be pre-drilled from the factory. Install Closer using #6 x 1" flat head screws provided, in the same position the hinge was installed, in the opposite jamb (Figure 5).

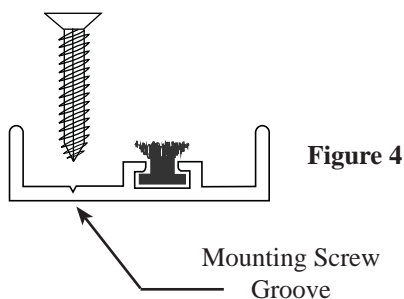


Figure 4

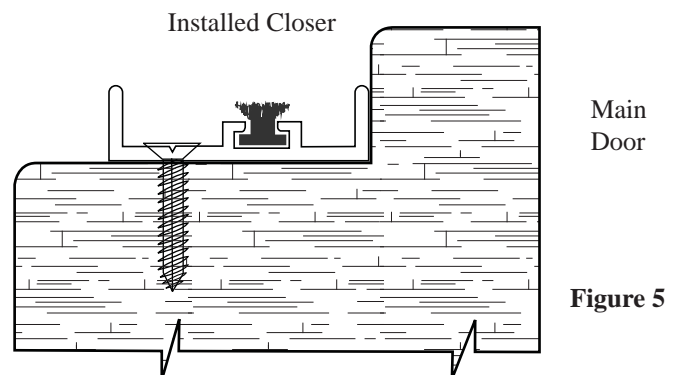


Figure 5

Step 4

Install Head Track

Carefully slide the Head Track (#R6047) into the Top Guide (Figure 6), insuring the weather-stripping is on the same side as the flat of the housing (Figure 7). Gently move the Head Track down, until the Closer end clears the Closer legs. Pocket the track in the closer (Figure 8), and fully seat the top track in the Housing end cap pocket, and screw in place using the #6 x 3/4" flat head screws provided.

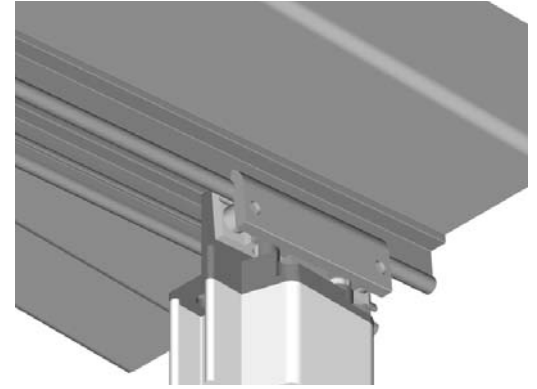


Figure 6

Step 5

Install Sill Track

Carefully repeat Steps 4 & 5 for installing the bottom sill track.

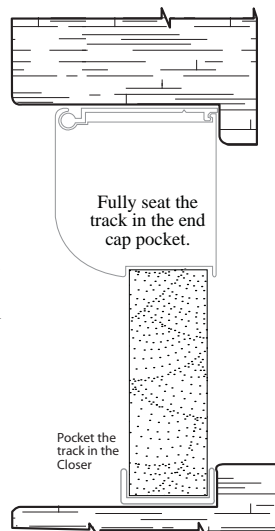


Figure 7

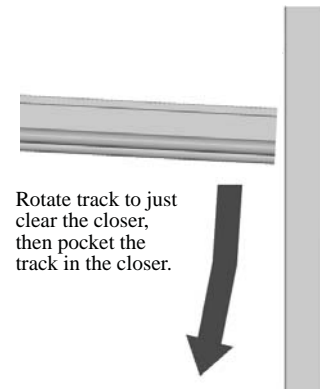


Figure 8

Step 6

Install Handles

The handle set can be positioned as desired. Set the inside handle in the desired location on the drawbar, insuring clearance for the main door handle/knob, mark the screw hole locations. Using a 3/32" drill bit, drill two holes and secure the handle to the drawbar using #8 x 3/4 flat head screws. Repeat for the outside handle.

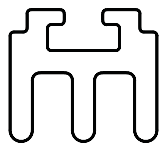
Installation Complete

Make sure all components are properly installed. Check the overall operation of the door. Drawbar guides should move freely over both the bottom and top tracks and connect squarely with the closer. If properly installed, the door will want to return to the housing quickly after breaking contact with the magnet.

French Door Instructions

Amendments To Installation Instructions For French Door Opening

ADDITIONAL PARTS INCLUDED:



Magnet Adapter
R6078



R5490

Step 1

(See Page 1 for Step 1)

Step 2

Install Housing / Hinge

Install both Housing/hinge assemblies in the jambs directly opposite of each other. The R6078 magnet adapter with magnet is installed on the active door.

Step 3

Inactive Door

The astragal with the R5490 astragal pins installed will be the inactive door.

Steps 4

Install Head Track

Both doors in a French set will travel along the same tracks. Locate the Head Track (R6047) and feed it on to the top roller guide of the inactive door (See Figure 6 on Page 3). Feed the same head track end into the screen tube area under the housing end cap about 1/2" (Figure 11). Now take the opposite end of the Head Track and align it into the Housing end cap notch on the active door. (To accomplish this, pull the active door out a few inches and gently wrap the drawbar and screen around the outside of the housing to clear the track opening.) The Head Track on the inactive side should now be in the housing notch location. Fasten the Track to the header using the #6 x 3/4" flat head screws provided.

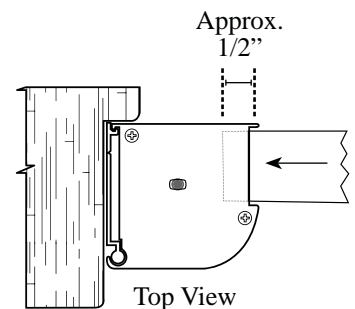


Figure 11

Steps 5

Install Bottom Sill Track

Repeat Step 4 for installing the Sill Track. After this step the drawbar and screen for the inactive door will operate on the track. The active door will not.

Step 6

"Snapping" in the Active Door

Carefully... and while making sure the screen is properly guided within the top and bottom tracks, pull on the center of the drawbar until approximately two (2) feet of screen is exposed. Line up the top drawbar guide with the top track, and the bottom drawbar guide with the bottom track (*this will require the drawbar to be at a slight angle*) and "snap" into place (Figure 12). Allow the screen to retract back into the housing. Test for smooth operation.

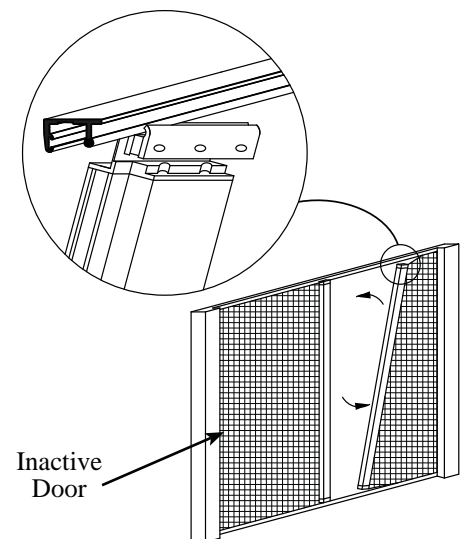


Figure 12

Note: It is necessary to keep the drawbar guides aligned with the tracks during this process to prevent damage to the guide assemblies!

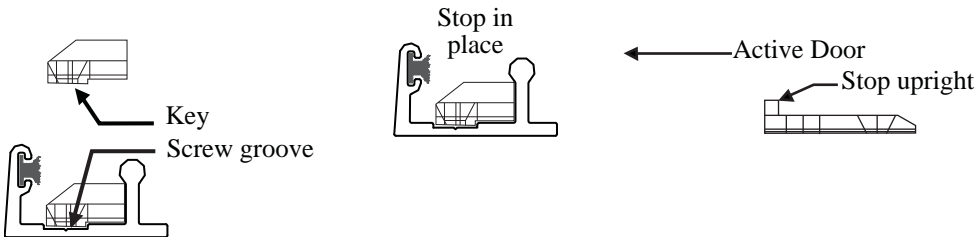
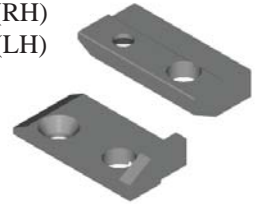
Disappearing Screens

Step 7

Install Astragal Stops

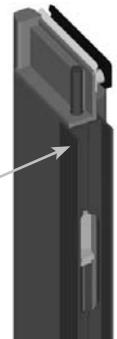
Install Astragal Stops (#R6490/R6495) into head and sill track. Fasten using one (1) #6 x 3/4" flat head screw through hole and into track. The astragal blocks are keyed on the bottom to fit in the screw groove in the track, and the stop upright will point at the active door. Make sure stops are evenly placed, top and bottom, and hold stationary door in required position. The stop upright should be placed at that position in the track. The active door should easily open and close, latching at the inactive door when required. If more depth for the astragal pins are desired, a 7/32" drill bit can be used to drill through the astragal stops into the track. Be careful here, that this process does not compromise the integrity of the building structure or weather barrier. R. Lang Company will not be responsible for any damage as a result of improper application of this process.

R6490 (RH)
R6495 (LH)



Drawbar with
Astragal Pin.

(Pin is in
Slot in Drawbar)



Step 8

Install Handles

Set the inside handle in the desired location on the drawbar, insuring clearance for the main door handle/knob, and with a felt tip pen, mark the screw hole locations. Using a 3/32" drill, drill two holes and secure the handle to the drawbar using #6 x 3/4 flat head screws. Repeat for the outside handle.

Installation Complete

Make sure all components are properly installed. Check the overall operation of the door. Drawbar guides should move freely over both the bottom and top tracks and connect squarely with the closer. If properly installed, the door will want to return to the housing quickly after breaking contact with the magnet.

WARRANTY

Roll-Away® LIMITED WARRANTY

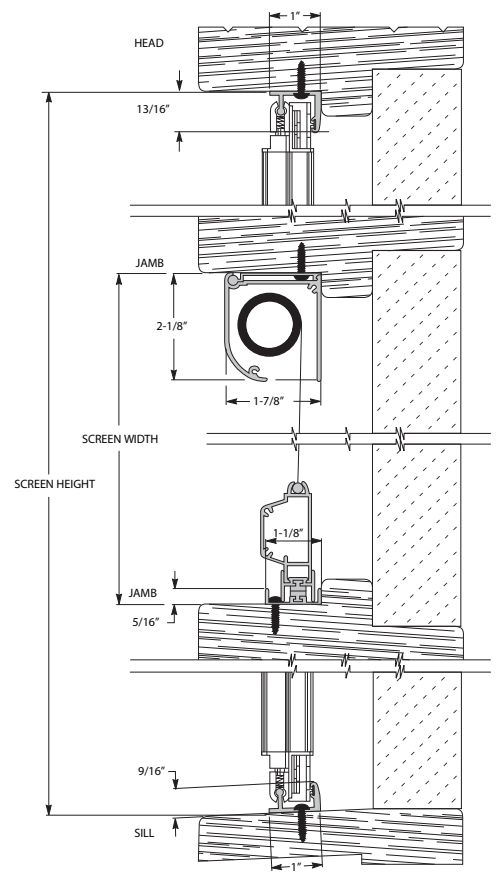
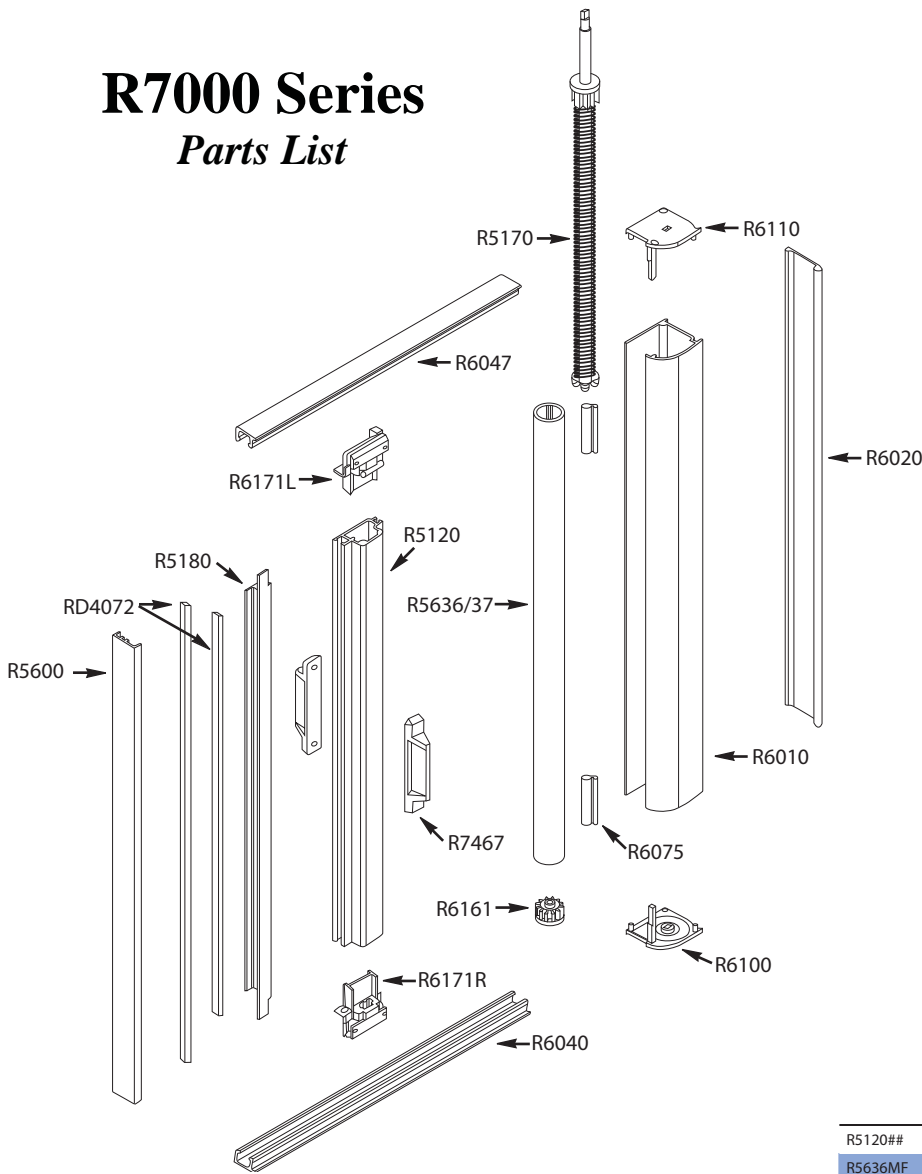
To the original purchaser, R. Lang Company warrants this product and its components parts to be free of defects on materials and workmanship for a period of one year from the date of purchase.

Damage caused by accident, improper installation or abuse, is specifically excluded from this warranty. Manufacturer's liability on any claim shall not exceed the cost of the product. In no instance shall manufacturer be responsible for consequential damage from the use of this product, including damage to existing door during installation or operation.

For a period of one (1) year from the date of purchase, any defective product or part may be sent, freight prepaid, to R. Lang Company, 8240 West Doe Avenue, Visalia, California (93291) for replacement or repair at no charge. Proof of purchase date and a pre-approved Return Materials Authorization must accompany any returned item. For further information about this warranty, contact the Customer Service Desk at R. Lang Company.

This warranty replaces any and all previous warranties, either written, oral, or implied, and is the only warranty made on this product by the R. Lang Company. This warranty gives you specific legal rights. Rights may vary from state to state.

R7000 Series Parts List



Series 7000 Inside Mount Part List

R5120#	Drawbar
R5636MF	Tube with Screen 82"
R5637MF	Tube with Screen 96"
R5170	Spring Roller Assembly
R5180#	Astragal
R5600#	Closer Jamb
R6010#	Housing
R6020#	Hinge
R6040#	Sill Track
R6047##	Head Track
R6075	PVC Cushion
R6110BL/WH	Housing End Cap - LH
R6100BL/WH	Housing End Cap - RH
R6161BL/WH	Bushing with Pin
R6171(BL/WH)L	Drawbar End Cap Assembly - LH
R6171(BL/WH)R	Drawbar End Cap Assembly - RH
R7467BL/WH	Pull Handle
RD4072	Magnet
##	- Door color

www.rollaway.com

