



**TRU-FRAME®**  
A name you can build on.



Visit us at [www.greenhousewindows.com](http://www.greenhousewindows.com)  
for more information

Patent #: D320-682  
Patent #: 6,588,146 B1



**TRU-FRAME®**  
A name you can build on.

### VINYL GREENHOUSE WINDOWS

PART NO.	NOMINAL SIZE	ROUGH OPENING	FINISHED OPENING	INSIDE DIMENSION	FIN-to-FIN DIMENSION	WHITE (WH)	Almond (AM) TAN (TN)
KI3030	3'0" x 3'0"	36" x 36"	35" x 35"	34 1/2" x 34 3/4"	43" x 40 1/8"	\$1608.50	\$1776.00
KI3036	3'0" x 3'6"	36" x 42"	35" x 41"	34 1/2" x 40 3/4"	43" x 46 1/8"	\$1663.00	\$1834.00
KI3039	3'0" x 3'9"	36" x 45"	35" x 44"	34 1/2" x 43 3/4"	43" x 49 1/8"	\$1689.00	\$1862.50
KI3040	3'0" x 4'0"	36" x 48"	35" x 47"	34 1/2" x 46 3/4"	43" x 52 1/8"	\$1714.00	\$1889.00
KI3050	3'0" x 5'0"	36" x 60"	35" x 59"	34 1/2" x 58 3/4"	43" x 64 1/8"	\$1818.00	\$2000.50
KI4030	4'0" x 3'0"	48" x 36"	47" x 35"	46 1/2" x 34 3/4"	55" x 40 1/8"	\$1730.50	\$1926.50
KI4036	4'0" x 3'6"	48" x 42"	47" x 41"	46 1/2" x 40 3/4"	55" x 46 1/8"	\$1787.00	\$1987.00
KI4039	4'0" x 3'9"	48" x 45"	47" x 44"	46 1/2" x 43 3/4"	55" x 49 1/8"	\$1814.50	\$2016.50
KI4040	4'0" x 4'0"	48" x 48"	47" x 47"	46 1/2" x 46 3/4"	55" x 52 1/8"	\$1840.00	\$2044.00
KI4050	4'0" x 5'0"	48" x 60"	47" x 59"	46 1/2" x 58 3/4"	55" x 64 1/8"	\$1956.00	\$2168.00
KI5030	5'0" x 3'0"	60" x 36"	59" x 35"	58 1/2" x 34 3/4"	67" x 40 1/8"	\$2017.00	\$2244.50
KI5036	5'0" x 3'6"	60" x 42"	59" x 41"	58 1/2" x 40 3/4"	67" x 46 1/8"	\$2083.50	\$2315.00
KI5039	5'0" x 3'9"	60" x 45"	59" x 44"	58 1/2" x 43 3/4"	67" x 49 1/8"	\$2111.50	\$2345.50
KI5040	5'0" x 4'0"	60" x 48"	59" x 47"	58 1/2" x 46 3/4"	67" x 52 1/8"	\$2138.50	\$2374.00
KI5050	5'0" x 5'0"	60" x 60"	59" x 59"	58 1/2" x 58 3/4"	67" x 64 1/8"	\$2245.50	\$2488.50
KI6030	6'0" x 3'0"	72" x 36"	71" x 35"	70 1/2" x 34 3/4"	79" x 40 1/8"	\$2155.50	\$2411.00
KI6036	6'0" x 3'6"	72" x 42"	71" x 41"	70 1/2" x 40 3/4"	79" x 46 1/8"	\$2215.50	\$2475.50
KI6039	6'0" x 3'9"	72" x 45"	71" x 44"	70 1/2" x 43 3/4"	79" x 49 1/8"	\$2245.00	\$2507.00
KI6040	6'0" x 4'0"	72" x 48"	71" x 47"	70 1/2" x 46 3/4"	79" x 52 1/8"	\$2272.50	\$2536.50
KI6050	6'0" x 5'0"	72" x 60"	71" x 59"	70 1/2" x 58 3/4"	79" x 64 1/8"	\$2383.50	\$2655.00

#### Exterior Colors/Options:

White and Almond are in stock. Special exterior colors are available on request  
Add color option required to part number above. (Example: KI3030WH)

WH = White    AM = Almond    TN = Tan    SP = Special

#### Interior Colors/Options:

White Interior is standard on Special color exteriors  
**Black Bottom Pan** is standard on Almond and Tan windows

#### Special Sizes Available:

Window is available in Rough Opening sizes between 2'0" x 2'6" and 6'0" x 5'0"  
Special Order Form available (download at [www.truframe.com/catalog](http://www.truframe.com/catalog))  
NOTE: *Customs unit cannot be cancelled or returned.*

#### Glazing System/Options:

Low-E2 insulated top, and clear front & sides 3/4" IGUs are standard  
Call factory for special glass and pricing. Single Glazing is not available

#### Adjustable Shelf System:

A Tempered Glass Shelf is standard. An Amplimesh Shelf is also available and can be substituted for a nominal fee.

#### Support Required:

Support Bracing is STRONGLY recommended on each end of the window. Support brackets are not included on windows under 5'0" width, but can be purchased separately. Brackets are located on page 71 for Aluminum Windows and page 79 for Vinyl Windows. Support Bracing is REQUIRED on each end of a window 5'0" width or greater & brackets are included (2 each) when window ordered meets or exceeds this width.

Building Codes vary greatly between States and Counties, and R. Lang Company **cannot be held liable** for knowing a customer's specific regulations or product application. It is up to the builder/contractor/architect to verify products are within compliance before order is placed.



NOTE: Vent operation will be limited for windows with a (RO) Rough Opening under 30"

Patent #: D320-682  
Patent #: 6,588,146 B1



**TRU-FRAME®**  
A name you can build on.

**VINYL RETRO-FIT GREENHOUSE WINDOWS**

PART NO.	OPENING SIZES	WHITE (WH)	ALMOND (AM) / TAN (TN)
KR3030	Up to 36" x 36"	\$1967.00	\$2134.00
KR3040	Up to 36" x 48"	\$2117.50	\$2287.00
KR3050	Up to 36" x 60"	\$2267.00	\$2438.50
KR4030	Up to 48" x 36"	\$2132.50	\$2327.50
KR4040	Up to 48" x 48"	\$2287.00	\$2485.00
KR4050	Up to 48" x 60"	\$2448.50	\$2649.50
KR5030	Up to 60" x 36"	\$2467.00	\$2695.00
KR5040	Up to 60" x 48"	\$2633.50	\$2865.00
KR5050	Up to 60" x 60"	\$2785.50	\$3020.00
KR6030	Up to 72" x 36"	\$2648.50	\$2904.50
KR6040	Up to 72" x 48"	\$2811.50	\$3070.50
KR6050	Up to 72" x 60"	\$2967.50	\$3230.00

**Exterior Colors/Options:**

White and Almond are in stock. Special exterior colors are available on request. Add color option required to part number above. (Example: KR3030WH)

WH = White    TN = Tan    AM = Almond    SP = Special

**Interior Colors/Options:**

White Interior is standard on Special color exteriors  
**Black Bottom Pan** is standard on Almond and Tan windows

**Special Sizes Available:**

Window is available in Rough Opening sizes between 2'0" x 2'6" and 6'0" x 5'0"  
Special Order Form available (download at [www.truframe.com/catalog](http://www.truframe.com/catalog))  
**Custom units cannot be cancelled or returned**

**Glazing System/Options:**

Low-E2 insulated top, and clear front & side 3/4" IGUs are standard  
Call factory for special glass and pricing. Single Glazing is not available.

**Adjustable Shelf System:**

A Tempered Glass Shelf is standard. An Amplimesh Shelf is also available and can be substituted for a nominal fee.

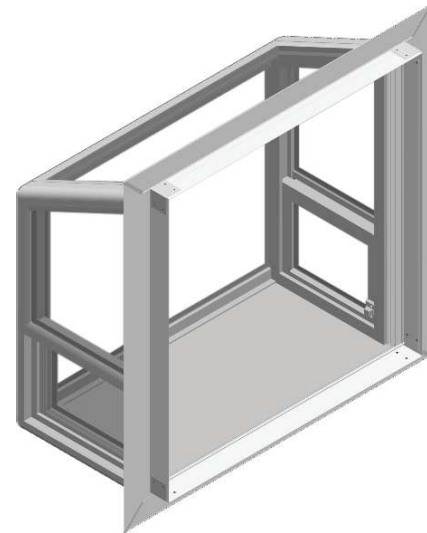
**Support Required:**

Support Bracing is STRONGLY recommended on each end of the window. Support brackets are not included on windows under 5'0" width, but can be purchased separately. Brackets are located on page 71 for Aluminum Windows and page 79 for Vinyl Windows.

Support Bracing is REQUIRED on each end of a window 5'0" width or greater & brackets are included (2 each) when window ordered meets or exceeds this width.

**Building Codes** vary greatly between States and Counties, and R. Lang Company cannot be held liable for knowing a customer's specific regulations or product application. It is up to the builder/contractor/architect to verify products are within compliance before order is placed.

**NOTE:** Vent operation will be limited for windows with a (RO) Rough Opening under 30".



Patent #: D320-682  
Patent #: 6,588,146 B1



**TRU-FRAME®**  
A name you can build on.

## VINYL GREENHOUSE WINDOW ACCESSORIES

PART NO.                      DESCRIPTION                      STANDARD WINDOW WIDTH                      LIST PRICE

### TEMPERED GLASS SHELF KITS

KA3000KS	Tempered Glass Shelf Kit	3'0" Width	\$172.50
KA4000KS	Tempered Glass Shelf Kit	4'0" Width	\$213.50
KA5000KS	Tempered Glass Shelf Kit	5'0" Width	\$263.00
KA6000KS	Tempered Glass Shelf Kit	6'0" Width	\$325.00

Specify Color:    White (WH), Almond (AM), Special (SP) Tan (TN)                      Example: KA3000KSWH  
Kits Include:        Tempered glass shelf, 2-extruded aluminum shelf supporters, 4-shelf clips.

### ALUMINUM AMPLIMESH SHELF KITS

KA3010KS	Aluminum Amplimesh Shelf Kit	3'0" Width	\$196.00
KA4010KS	Aluminum Amplimesh Shelf Kit	4'0" Width	\$242.00
KA5010KS	Aluminum Amplimesh Shelf Kit	5'0" Width	\$301.50
KA6010KS	Aluminum Amplimesh Shelf Kit	6'0" Width	\$371.00

Specify Color:    White (WH), Almond (AM), Special (SP) Tan (TN)                      Example: KA3010KSWH  
Kits Include:        Amplimesh shelf, 2-extruded aluminum shelf supporters, 4-shelf clips.

### TOUCH-UP SPRAY PAINT

KM1150AM	Almond touch-up spray paint	12oz can	\$70.00
KM1150WH	White touch-up spray paint	12oz can	\$70.00
KM1150TN	Tan touch-up spray paint	12oz can	\$70.00

### STUCCO MOLDING

J3118AM	Stucco Molding - Almond	15' Lengths	\$120.00
J3118WH	Stucco Molding - White	15' Lengths	\$120.00

### REPLACEMENT SHELF CLIPS

JA9001NSBR	Snap in Shelf Clip - Bronze		\$3.25
JA9001NSWH	Snap in Shelf Clip - White		\$3.25
JA9001NSAM	Snap in Shelf Clip - Almond		\$3.25
JA9001NSTN	Snap in Shelf Clip - Tan		\$3.25

### SHELF STANDARDS

KA9004NSAM	Shelf Standard - Almond Aluminum	24"	\$14.70
KA9004NSTN	Shelf Standard - Tan Aluminum	24"	\$14.70
KA9004NSBR	Shelf Standard - Bronze Aluminum	24"	\$14.70
KA9004NSWH	Shelf Standard - White Aluminum	24"	\$14.70

### SUPPORT BRACKETS (Note: Factory recommends (2) brackets for windows 5'0" and larger – included with kits)

J1010WH	Support Bracket - White	1 each	\$72.50
J1010TN	Support Bracket - Tan	1 each	\$72.50
J1010AM	Support Bracket - Almond	1 each	\$72.50

### WINDOW DISPLAY

KDS1000	Showroom Floor Display		\$1,760.00
---------	------------------------	--	------------

*Includes: 1 K13030WH, 1 floor display with sign (assembly required), & 100 consumer handouts.*

Patent #: D320-682  
Patent #: 6,588,146 B1



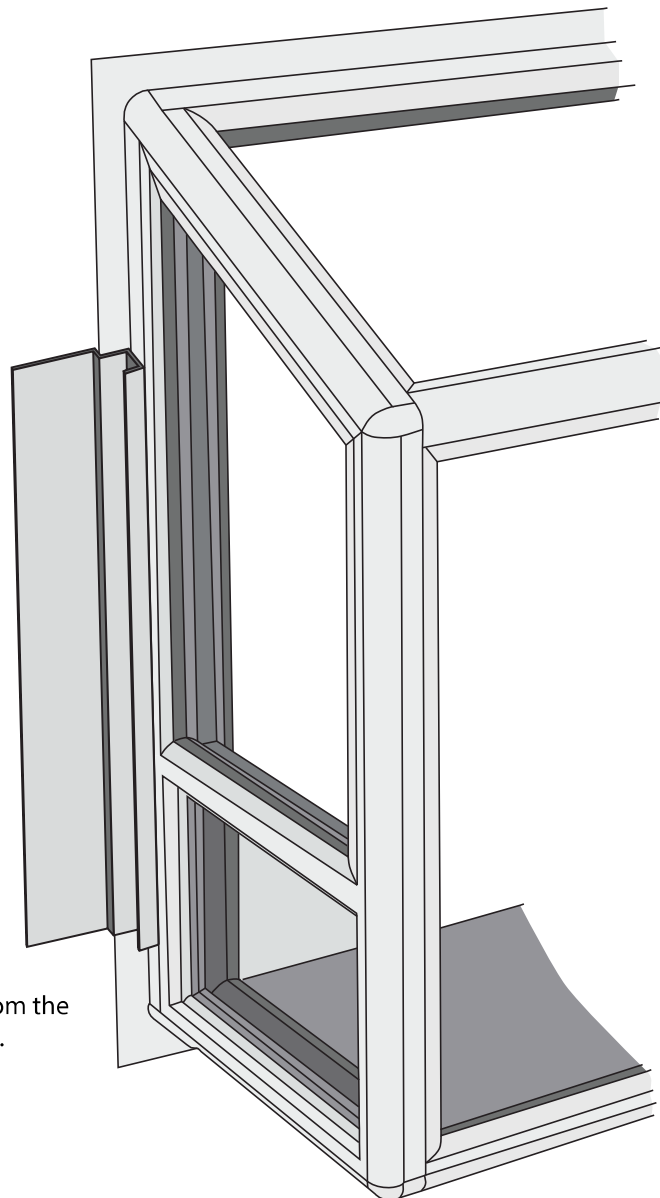
**TRU-FRAME®**  
A name you can build on.

## STUCCO MOLDING FOR GREENHOUSE WINDOWS

**Part Number:** J3118  
**Length:** 15-ft each  
**Finishes:** Bronze Paint  
White  
Desert Sand



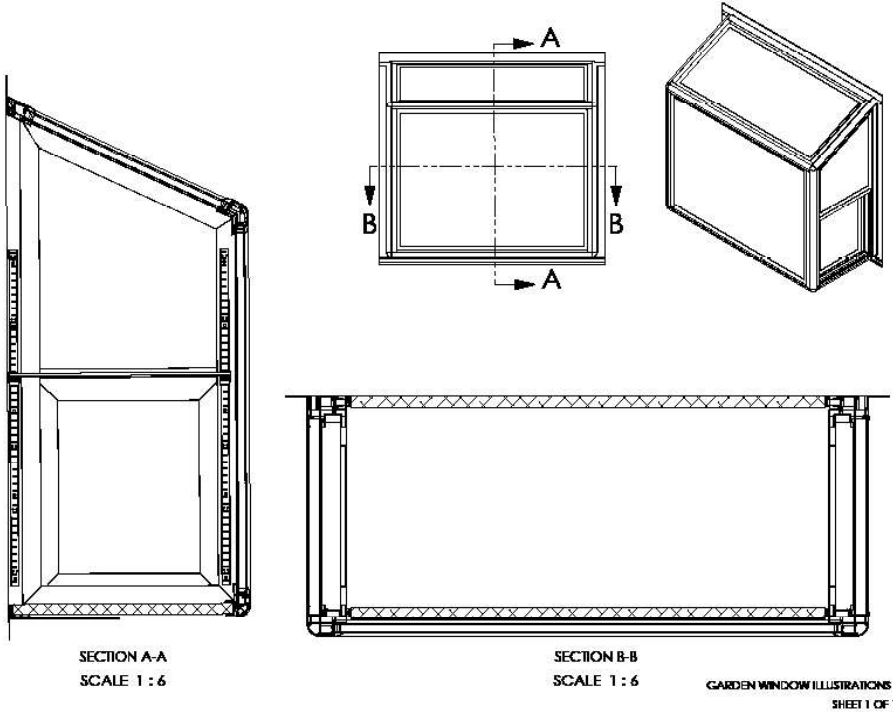
Actual Size



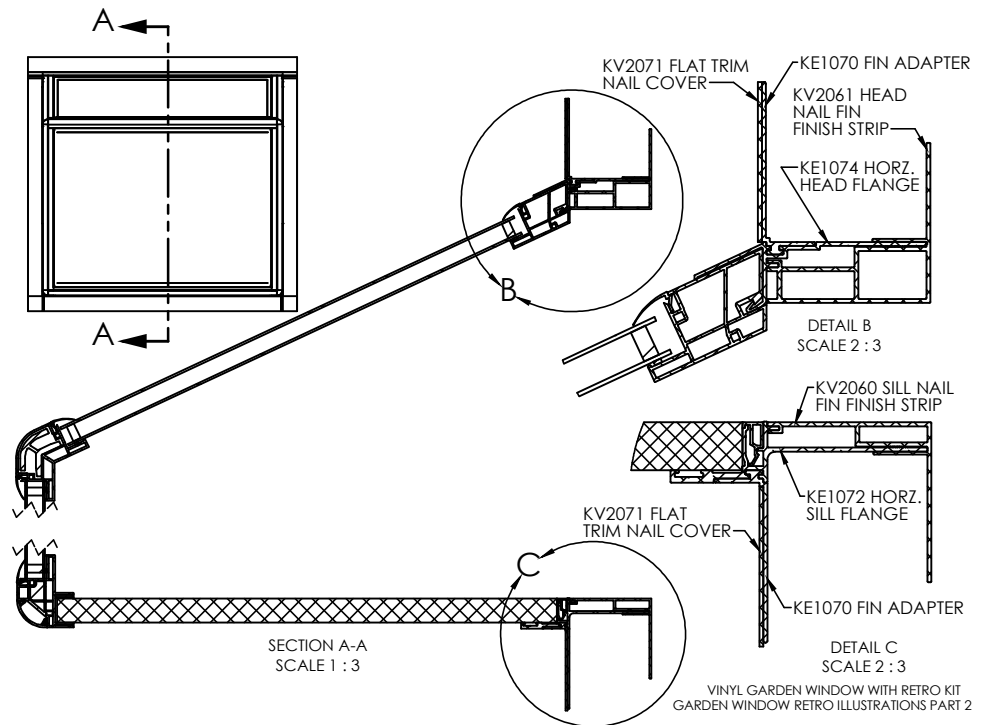
Pocket faces away from the  
Greenhouse Window.

Patent #: D320-682  
Patent #: 6,588,146 B1

**New Construction Detail**



**Retro-Fit and Inside  
Finish Detail**



SECTION K



TRU-FRAME® A name you can build on.

ORDER [ ] QUOTE [ ] (Check One)

"KI" Series (nail on fin) Vinyl Greenhouse Window Fax Number: 888-526-4329

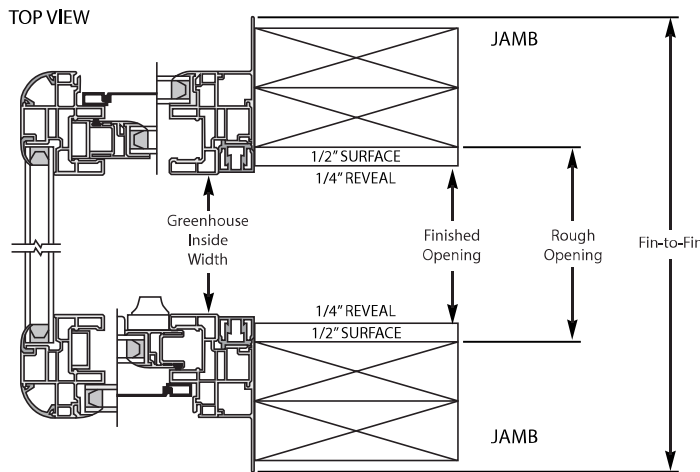
DATE: \_\_\_\_\_

DEALER: \_\_\_\_\_

JOB NAME/PO#: \_\_\_\_\_

1. QUANTITY (Same Specifications): \_\_\_\_\_

- 2. GLAZING (Insulated Only): [ ] Standard (Low-E2 top, clear front & sides) [ ] Special Glass (Please Specify Type):



Top Front Sides

[ ] Tempered Glass (All Panels Only)

Call Customer Service for pricing on Special Glass Options.

3. FRAME DIMENSIONS:

[ ] Standard Frame Sizes (For Special Glazing)

Width \_\_\_\_\_ x Height \_\_\_\_\_

[ ] Special Frame Sizes (Refer To Diagram At Left)

Please provide where dimensions are taken from:

- [ ] Greenhouse Inside Dimension (GID) [ ] Finished Opening (FO) [ ] Rough Opening (RO)

Width \_\_\_\_\_ x Height \_\_\_\_\_

\$60.00 NET add to next larger size for Special Frame Sizes.

4. FRAME COLOR:

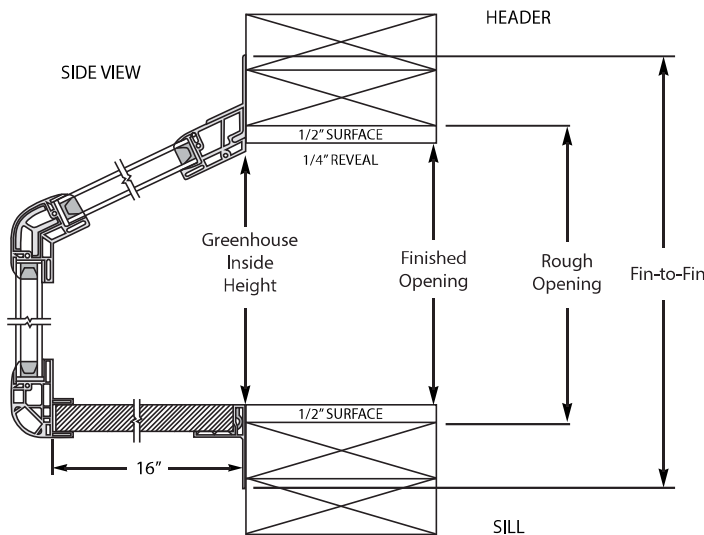
- [ ] White [ ] Almond [ ] Tan [ ] Other (Specify): \_\_\_\_\_

Call Customer Service for pricing on special color options.

5. TEMPERED GLASS SHELF:

- [ ] Tempered Glass Shelf (Standard) [ ] Aluminum Amplimesh Shelf [ ] Additional shelves (Quantity): \_\_\_\_\_

I agree to pay in full, within terms, for SPECIAL(s) built to the specifications above. (SPECIALS ARE NON-RETURNABLE).



Authorized Signature \_\_\_\_\_ Order Date \_\_\_\_\_

Patent #: D320-682 Patent #: 6,588,146 B1



**TRU-FRAME®**  
A name you can build on.

**"KR" Series (Retrofit) Vinyl Greenhouse Window**  
Fax Number: 888-526-4329

DATE: \_\_\_\_\_

ORDER  QUOTE  (Check One)

DEALER: \_\_\_\_\_

1. **QUANTITY** (Same Specifications): \_\_\_\_\_

JOB NAME/PO#: \_\_\_\_\_

2. **GLAZING** (Insulated Only):

- Standard (Low-E2 top, clear front & sides)
- Special Glass (Please Specify Type):

\_\_\_\_\_ Top \_\_\_\_\_ Front \_\_\_\_\_ Sides

Tempered Glass (All Panels Only)

Call Customer Service for pricing on Special Glass Options.

3. **FRAME DIMENSIONS:**

Frame Size (Refer To Diagram At Left)  
Please provide **NET opening size**.

Width \_\_\_\_\_ x Height \_\_\_\_\_

4. **FRAME COLOR:**

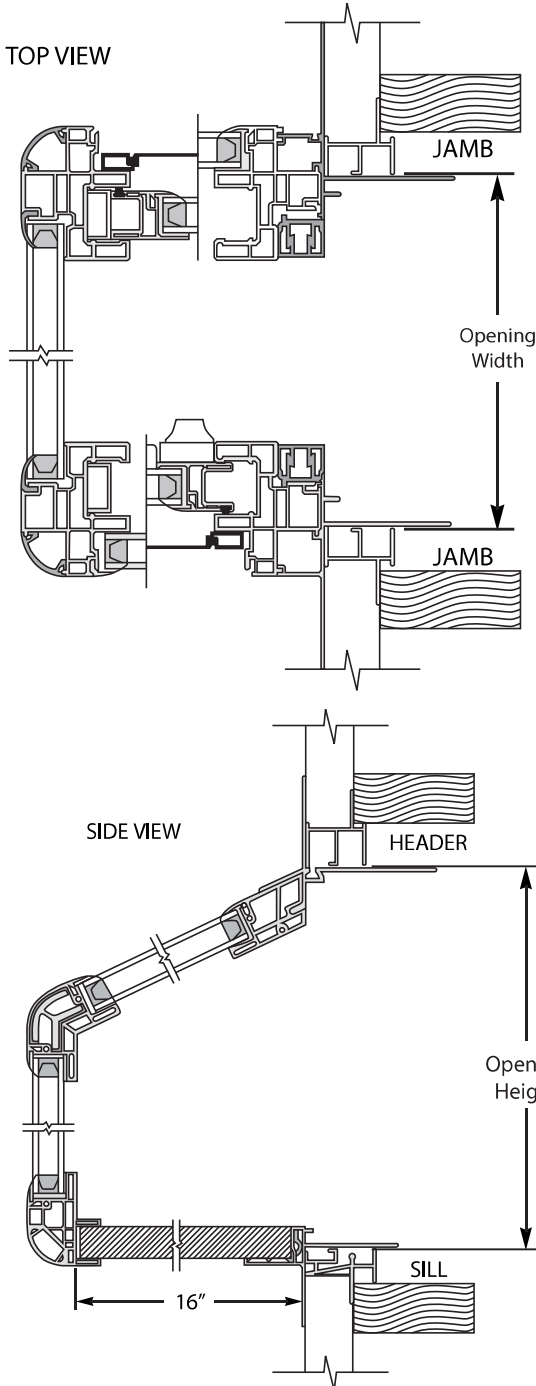
- White
- Almond
- Tan
- Other (Specify): \_\_\_\_\_

Call Customer Service for pricing on special color options.

5. **TEMPERED GLASS SHELF:**

- Tempered Glass Shelf (Standard)
- Aluminum Amplimesh Shelf
- Additional shelves (Quantity): \_\_\_\_\_

I agree to pay in full, within terms, for SPECIAL(s) built to the specifications above. (SPECIALS ARE NON-RETURNABLE).



\_\_\_\_\_  
Authorized Signature

\_\_\_\_\_  
Order Date

Patent #: D320-682  
Patent #: 6,588,146 B1