



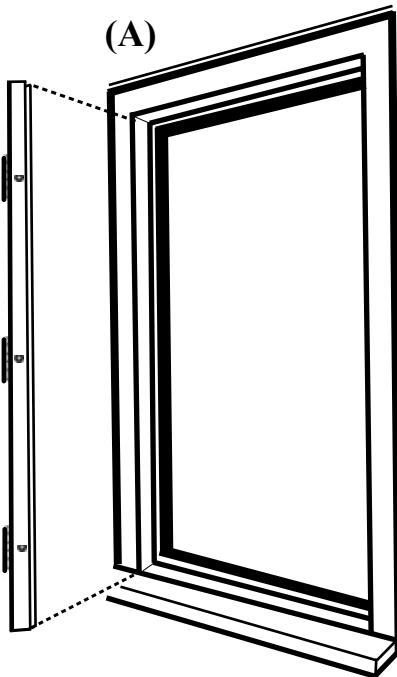
**TRU-FRAME®**  
A name you can build on.

## TRU-VIEW™ SECURITY DOOR (Hinge Expander Style) INSTALLATION INSTRUCTIONS

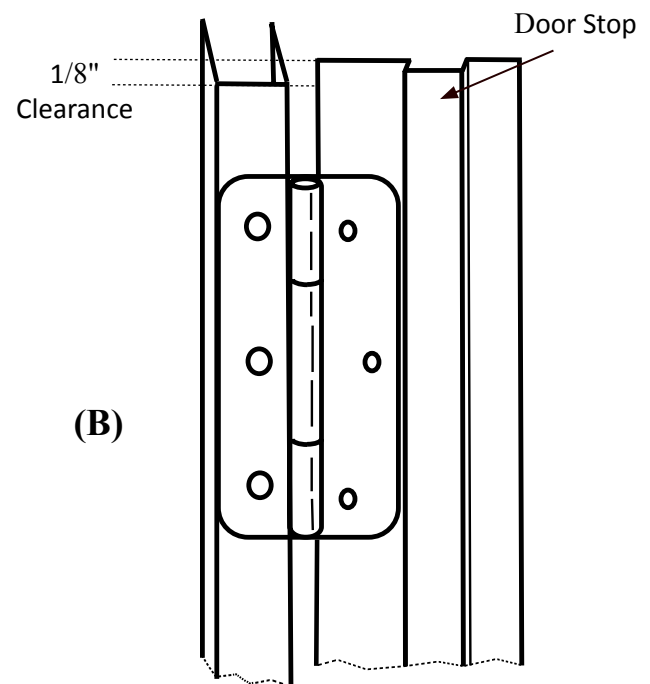
READ COMPLETE  
INSTRUCTIONS  
THOROUGHLY BEFORE  
STARTING STEP #1

### TOOLS REQUIRED:

- Hack Saw
- Screwdriver
- Drill
- 3/32" and 1/4" Drill Bit
- File
- Tape Measure
- Pencil or Scriber

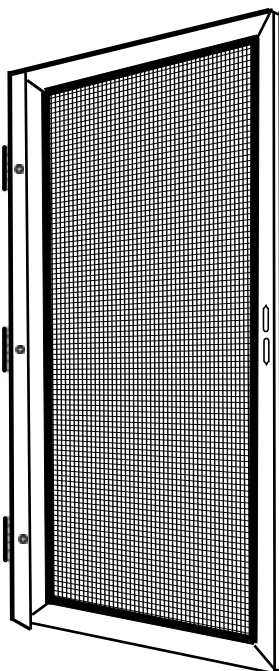


1. Measure height of opening on side where hinges will be fastened, normally same side as the hinges on main door. (Illustration A) Cut the bottom of the hinge channel to this measured length less 2-3/8". File all rough edges smooth. DO NOT cut hinge channel if door opening height measures up to 3/8" over net security door size.



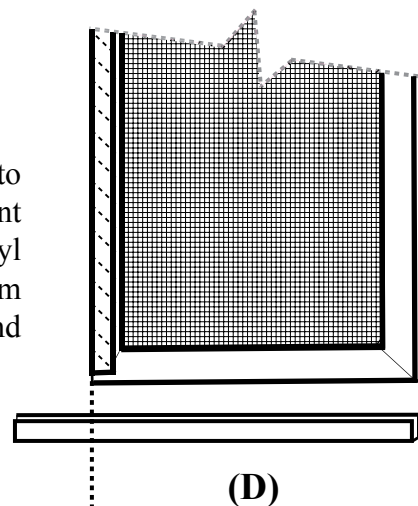
2. Locate position of hinges on door frame while allowing 1/8" clearance at top of hinge channel. Mount hinges with wood screws provided. Illustration B.

(C)



3. Slip the security door into the hinge channel. With pieces of cardboard, shim door for 3/16" clearance on latch side and 1/8" at top. On outside of door with 3/32" drill bit, drill 3 holes through hinge channel as per illustration, do not drill completely through door. (Illustration C) Follow this same procedure on inside of door. Insert sheet metal screws provided.

4. Measure the full width of door, from outside edge of hinge channel to outside edge of security door frame. Cut bottom channel to this measurement and file all rough edges. (Illustration D) Adjust bottom channel until vinyl sweep is touching wood sill. On the inside, (drill) 3/32" holes 4-1/2" from each end of the bottom channel as close to the bottom edge as possible, and insert sheet metal screws.



5. Instructions for installing door closer, handle latch/deadbolt and wind chain will be found in the hardware box. Please don't litter. Dispose of the empty carton and other waste in a responsible manner.

*Please don't litter!*

*Dispose of the empty carton and other waste in a responsible manner.*