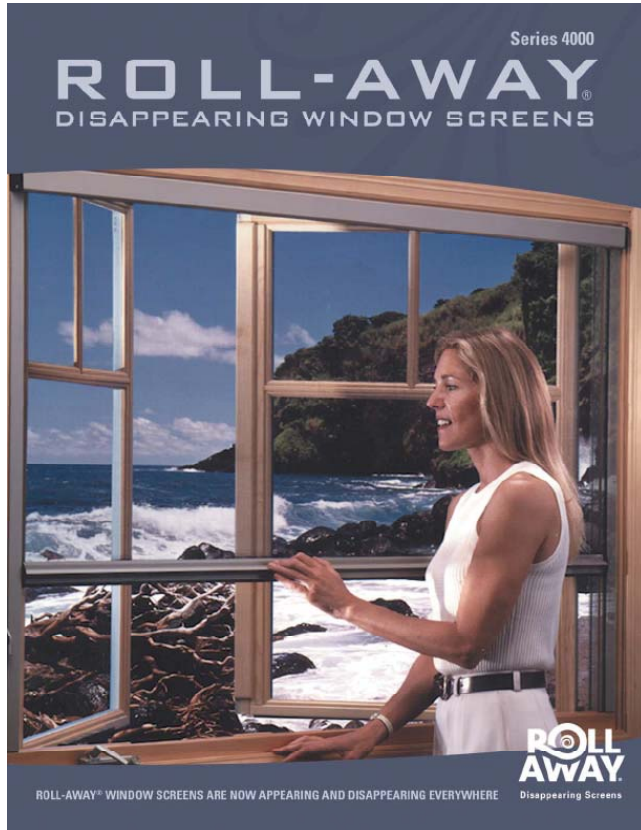


TRU-FRAME®
A name you can build on.

LIST PRICE



SECTION R

LIST PRICE

Roll-Away® Series 2000

LIST PRICING

2-3/8" Canopy - Brite Bronze only

WIDTH — All measurements in inches

HEIGHT

| | 18" | 24" | 30" | 36" | 42" | 48" | 60" |
|-----|----------|----------|----------|----------|----------|----------|----------|
| 18" | \$140.00 | \$145.00 | \$153.00 | \$167.50 | \$166.00 | \$181.50 | \$224.50 |
| 24" | \$152.50 | \$160.00 | \$167.50 | \$177.00 | \$182.50 | \$189.50 | \$236.50 |
| 30" | \$157.00 | \$166.50 | \$176.00 | \$182.50 | \$191.00 | \$200.50 | \$249.00 |
| 36" | \$162.00 | \$171.50 | \$181.50 | \$189.50 | \$200.50 | \$209.00 | \$263.00 |
| 42" | \$166.50 | \$178.00 | \$187.50 | \$199.50 | \$206.50 | \$219.50 | \$274.50 |
| 48" | \$171.50 | \$182.50 | \$194.00 | \$205.50 | \$217.50 | \$228.00 | \$287.50 |
| 54" | \$177.00 | \$188.50 | \$201.50 | \$212.00 | \$226.00 | \$238.50 | \$299.00 |
| 60" | \$181.50 | \$194.00 | \$206.50 | \$220.50 | \$232.00 | \$248.00 | \$311.50 |
| 66" | - | \$200.50 | \$213.00 | \$228.00 | \$242.50 | \$255.50 | \$324.50 |
| 72" | - | \$205.50 | \$220.50 | \$236.50 | \$251.00 | \$265.00 | \$337.00 |
| 78" | - | - | \$227.00 | \$242.50 | \$257.50 | \$274.50 | - |
| 84" | - | - | \$232.00 | \$251.00 | \$267.00 | - | - |

Minimum width = 14" (60" max height)

PART NUMBERS: Example - R21WBZ2424

| CLASS | DRAWBAR | FINISH | SCREEN TYPE | SIZE |
|-------|-------------------------------|--|-------------------|----------------------------|
| R | 20 = Standard 21 = Reverse | B = Bronze <input checked="" type="checkbox"/> W = White <input type="checkbox"/> | BZ = Brite Bronze | Dimensions from price list |

NOTE: Price is determined by using the next largest width and/or height
CUSTOM UNITS CANNOT BE CANCELLED OR RETURNED.

MEASUREMENTS: Give the exact size desired to the nearest 1/16"
Size will be determined by installation location
Manufacturing tolerances are +0", -1/16"

FINISH: Bronze or White Paint
Custom colors available - contact factory

SCREEN: Brite Bronze wire 18 x 14 mesh - 0.009/0.011 thickness (33/36 GA).
No other screen options available on Series 2000 Roll-Away®.

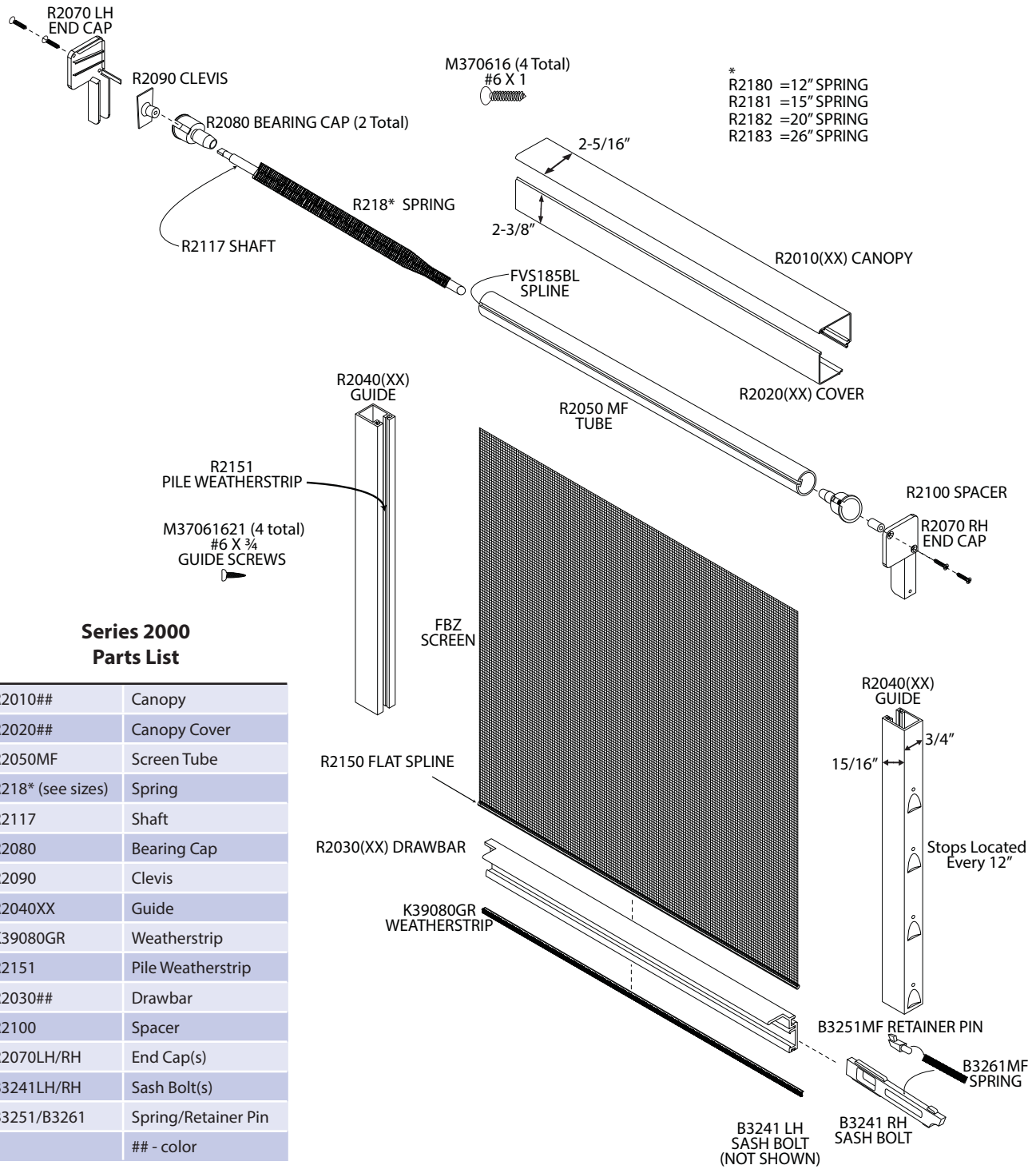
SAMPLES: Bronze Paint - R20 BBZ 0000
White Paint - R20 WH 0000
Samples available \$160.00 List
Samples include finished Wood Frame (see 'Displays & Hand Samples' in front of Catalog)

PACKAGING: See Packaging Chart located in "Shipping Terms and Conditions" to calculate Packaging Fees for orders shipping Common Carrier.

TRU-FRAME®
A name you can build on.

LIST PRICE

Roll-Away® Series 2000 Parts Detail



Series 2000 Parts List

| | |
|-------------------|---------------------|
| R2010## | Canopy |
| R2020## | Canopy Cover |
| R2050MF | Screen Tube |
| R218* (see sizes) | Spring |
| R2117 | Shaft |
| R2080 | Bearing Cap |
| R2090 | Clevis |
| R2040XX | Guide |
| K39080GR | Weatherstrip |
| R2151 | Pile Weatherstrip |
| R2030## | Drawbar |
| R2100 | Spacer |
| R2070LH/RH | End Cap(s) |
| B3241LH/RH | Sash Bolt(s) |
| B3251/B3261 | Spring/Retainer Pin |
| ## | - color |

LIST PRICE

Roll-Away® Series 4000

1-7/8" Canopy

WIDTH — All measurements in inches

| HEIGHT | 18" | 24" | 30" | 36" | 42" | 48" | 60" | 72" |
|--------|----------|----------|----------|----------|----------|----------|----------|----------|
| 18" | \$117.50 | \$124.00 | \$130.50 | \$135.50 | \$143.00 | \$149.50 | \$208.00 | \$221.50 |
| 24" | \$122.00 | \$128.50 | \$133.50 | \$142.00 | \$148.50 | \$152.50 | \$214.00 | \$230.00 |
| 30" | \$127.00 | \$132.50 | \$141.00 | \$147.50 | \$151.50 | \$160.00 | \$220.50 | \$238.50 |
| 36" | \$130.50 | \$136.50 | \$144.00 | \$150.50 | \$159.00 | \$163.00 | \$226.00 | \$247.00 |
| 42" | \$133.50 | \$142.00 | \$149.50 | \$155.00 | \$162.00 | \$166.50 | \$233.00 | \$253.50 |
| 48" | \$141.00 | \$147.50 | \$152.50 | \$160.00 | \$165.50 | \$175.00 | \$240.50 | \$259.50 |
| 54" | \$143.00 | \$150.50 | \$159.00 | \$163.00 | \$173.00 | \$180.00 | \$249.00 | \$267.00 |
| 60" | \$148.50 | \$155.00 | \$162.00 | \$166.50 | \$176.00 | \$184.50 | \$255.50 | \$275.50 |
| 66" | \$151.50 | \$160.00 | \$165.50 | \$174.00 | \$181.50 | \$188.50 | \$264.00 | \$282.00 |
| 72" | \$159.00 | \$162.00 | \$171.50 | \$180.00 | \$187.50 | \$195.00 | \$270.50 | \$290.50 |
| 78" | - | \$165.50 | \$176.00 | \$184.50 | \$192.00 | \$199.50 | \$276.50 | - |
| 84" | - | \$169.50 | \$180.00 | \$188.50 | \$196.00 | \$205.50 | - | - |

Minimum width = 14" (60" Max Height)

PART NUMBERS: Example - R41WH012424

| CLASS | DRAWBAR | FINISH | SCREEN TYPE | SIZE |
|-------|-------------------------------|---|--|-------------------------------|
| R | 40 = Standard 41 = Reverse | = Bronze = Black = Desert Sand = Satin = White = Champagne Beige | 01 - 18x14x0.013 Rigid Charcoal Fiberglass | Dimensions from price list |

NOTE: Price is determined by using the next largest width and/or height
CUSTOM UNITS CANNOT BE CANCELLED OR RETURNED.

MEASUREMENTS: Give the exact size desired to the nearest 1/16"
Size will be determined by installation location
Manufacturing tolerances are +0", -1/16"

FINISH: Bronze, White, Satin Anodized, Black, Champagne Beige, Desert Sand
Custom colors are available – Call for quote.

SCREEN: 18 x 14 mesh 0.013 Rigid Charcoal Fiberglass

FEATURES: Low profile designed housing, spring tension adjuster, Mesh Lock™, Magnetic guide locks, smooth gliding weather-stripped drawbar.

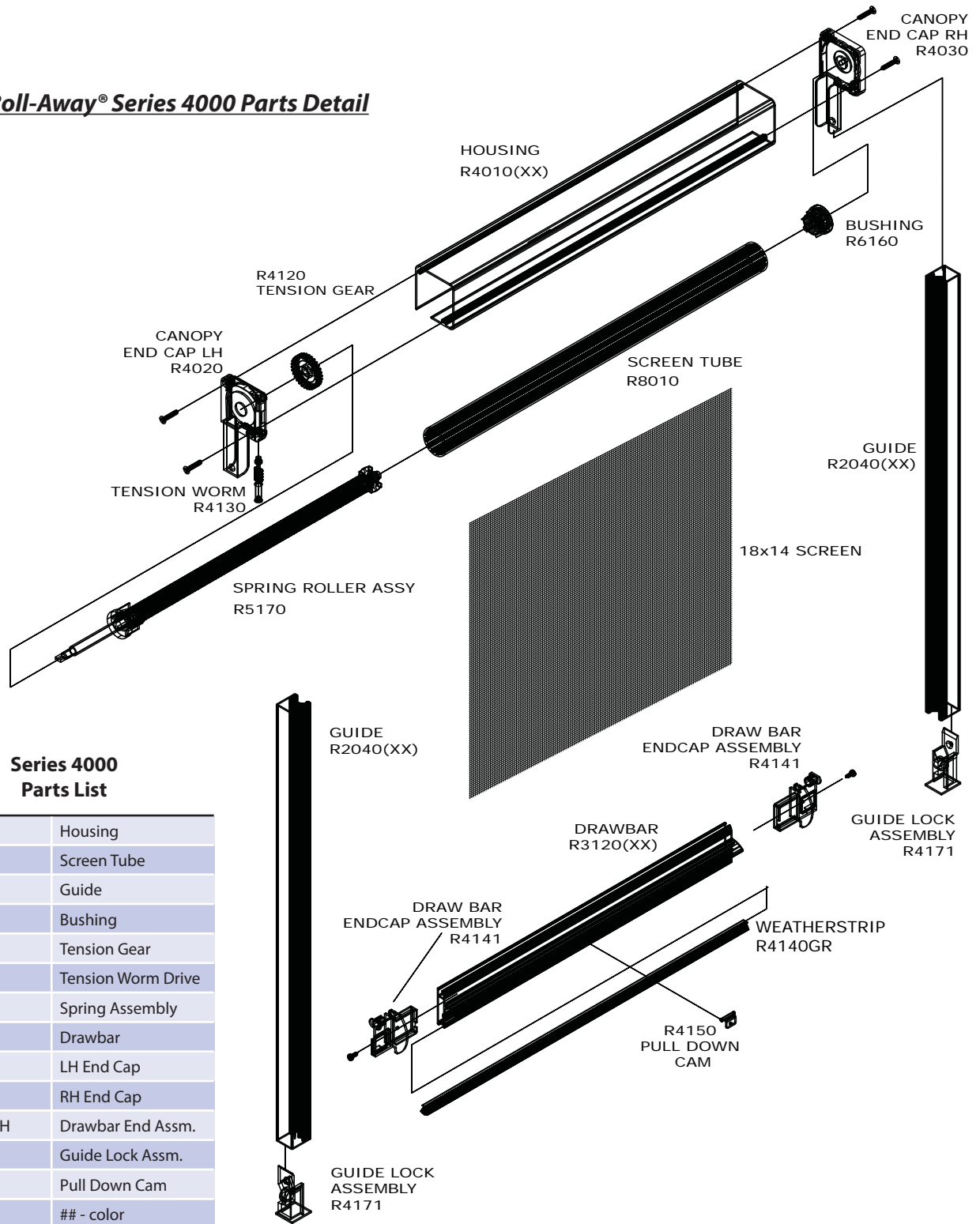
SAMPLES: White - R40WH0100
Bronze - R40BR0100
Samples available \$160.00 List
Samples include finished Wood Frame (see 'Displays & Hand Samples' in front of Catalog)

PACKAGING: See Packaging Chart located in "Shipping Terms and Conditions" to calculate Packaging Fees for orders shipping Common Carrier.

TRU-FRAME®
A name you can build on.

LIST PRICE

Roll-Away® Series 4000 Parts Detail



**Series 4000
Parts List**

| | |
|------------|--------------------|
| R4010## | Housing |
| R8010 | Screen Tube |
| R2040XX | Guide |
| R6160 | Bushing |
| R4120 | Tension Gear |
| R4130 | Tension Worm Drive |
| R5170 | Spring Assembly |
| R3120## | Drawbar |
| R4020LH | LH End Cap |
| R4030RH | RH End Cap |
| R4141LH/RH | Drawbar End Assm. |
| R4171 | Guide Lock Assm. |
| R4150 | Pull Down Cam |
| ## | - color |

SECTION R

LIST PRICE

Roll-Away® Series 6000 Inside Mount



Roll-Away®
Disappearing Screen Door

- 1-7/8" Rounded Housing
- 18 x 14 Stiff Charcoal Fiber
- Die Cast Auto-Latch™ handle set
- Best screen Solution for French Doors
- Custom colors available
- Installs inside the jamb

Assembled — Inside Mount

LIST PRICE

| Product Code | Description | Dimensions | Price |
|--------------|--------------------|-----------------|----------|
| R6000##F36 | Single Screen Door | Up to 36" x 82" | \$298.00 |
| R6001##F36 | Single Screen Door | Up to 36" x 96" | \$332.00 |
| R6050##F72 | French Door Set | Up to 72" x 82" | \$629.50 |
| R6051##F72 | French Door Set | Up to 72" x 96" | \$698.50 |

ORDERING: The doors above are made to order and require opening measurements to the nearest 1/16". Single doors must be designated as "RH" (housing on right, rolls from right to left as viewed from the outside looking in) or "LH" for left to right. Specify French Door handing as OX or XO ("X" represents active door).

KD Kit — Inside Mount

| Product Code | Description | Dimensions | Price |
|--------------|--------------------|-----------------|----------|
| R6000##K36 | Single Screen Door | Up to 36" x 82" | \$274.50 |
| R6001##K36 | Single Screen Door | Up to 36" x 96" | \$309.50 |
| R6050##K72 | French Door Set | Up to 72" x 82" | \$572.50 |
| R6051##K72 | French Door Set | Up to 72" x 96" | \$641.50 |

Roll-Away® Series 6000 KD doors are furnished oversize and require fabrication for final assembly.

| Product Code | Description | Dimensions | Price |
|--------------|-------------------------------|-------------|----------|
| R600WHSMP | Single Door Sample with Frame | 16" x 20" | \$160.00 |
| R605WHSMP | French Door Sample with Frame | 28.5" x 20" | \$272.00 |

FINISHES: White (□), Champagne Beige (■), Bronze (■), Black (■), Satin (■), Desert Sand (■)

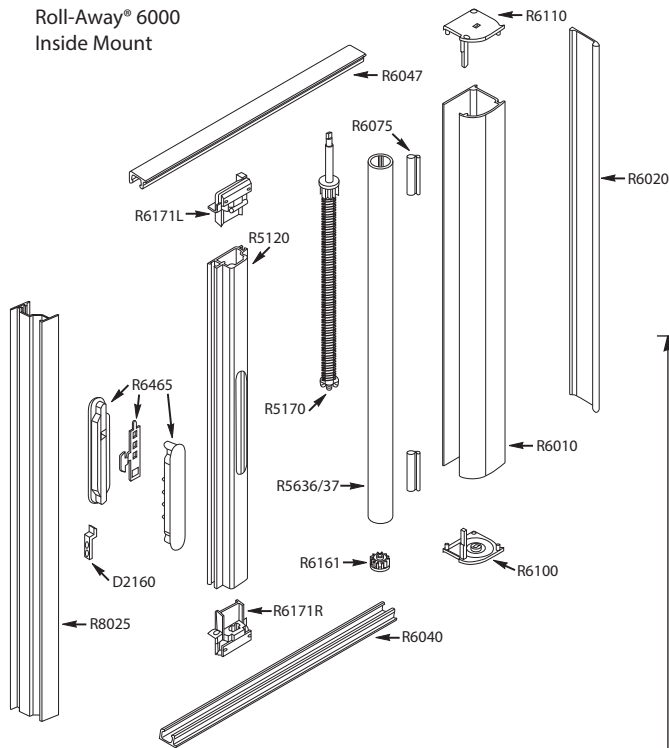
SCREEN: Roll-Away® Doors are screened with 18 x 14 Stiff Charcoal Fiber.

CUSTOM UNITS CANNOT BE CANCELLED OR RETURNED.

PACKAGING: See [Packaging Chart](#) located in "Shipping Terms and Conditions" to calculate Packaging Fees for Common Carrier orders.

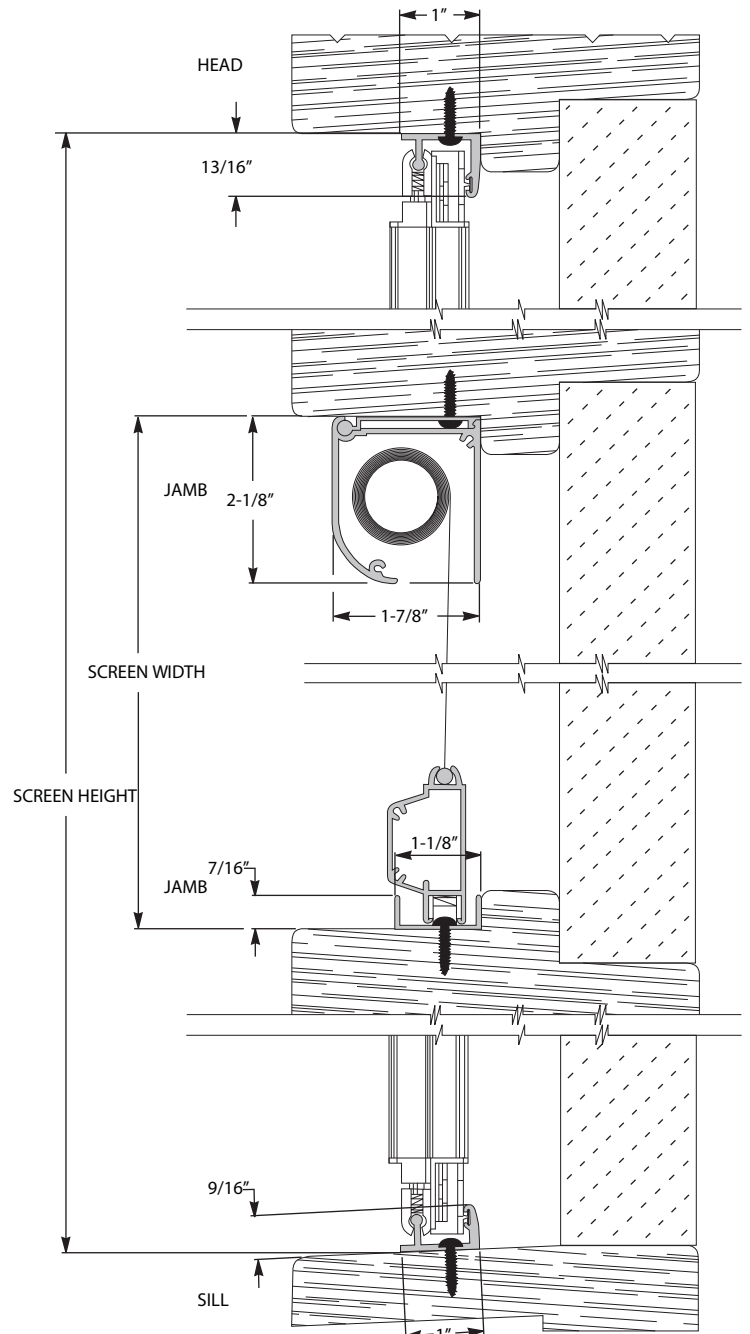
TRU-FRAME®
A name you can build on.

LIST PRICE



**Series 6000 Inside Mount
Parts List**

| | |
|----------------|---|
| R5120## | Drawbar |
| R5636MF | Tube with Screen 82" |
| R5637MF | Tube with Screen 96" |
| R5170 | Spring Roller Assembly |
| R8025## | Closer |
| D2160 | Stainless Steel Strike & Screw Assembly |
| R6465BL/WH | Handle Assembly with Strike |
| R6010## | Housing |
| R6020## | Hinge |
| R6040## | Sill Track |
| R6047## | Head Track |
| R6075BL/WH | PVC Cushion |
| R6110BL/WH | Housing End Cap - LH |
| R6100BL/WH | Housing End Cap - RH |
| R6161BL/WH | Bushing with Pin |
| R6171 (BL/WH)L | Drawbar End Cap Assembly - LH |
| R6171 (BL/WH)R | Drawbar End Cap Assembly - RH |
| ## | - Door color |



LIST PRICE

Roll-Away[®] Series 6500 Surface Mount



Roll-Away[®]
Disappearing Screen Door

- 1-7/8" Rounded Housing
- 18 x 14 Stiff Charcoal Fiber
- Die Cast Auto-Latch™ handle set
- Best screen Solution for French Doors
- Custom colors available
- Installs on surface of door opening

Assembled — Surface Mount

LIST PRICE

| Product Code | Description | Dimensions | LIST PRICE |
|--------------|--------------------|-----------------|------------|
| R6500##F36 | Single Screen Door | Up to 36" x 82" | \$303.00 |
| R6501##F36 | Single Screen Door | Up to 36" x 96" | \$338.00 |
| R6550##F72 | French Door Set | Up to 72" x 82" | \$641.50 |
| R6551##F72 | French Door Set | Up to 72" x 96" | \$710.00 |

ORDERING: The doors above are made to order and require opening measurements to the nearest 1/16". Single doors must be designated as "RH" (housing on right, rolls from right to left as viewed from the outside looking in) or "LH" for left to right. Specify French Door handing as OX or XO ("X" represents active door).

KD Kit — Surface Mount

| Product Code | Description | Dimensions | LIST PRICE |
|--------------|--------------------|-----------------|------------|
| R6500##K36 | Single Screen Door | Up to 36" x 82" | \$281.00 |
| R6501##K36 | Single Screen Door | Up to 36" x 96" | \$315.00 |
| R6550##K72 | French Door Set | Up to 72" x 82" | \$584.00 |
| R6551##K72 | French Door Set | Up to 72" x 96" | \$653.00 |

Roll-Away[®] Series 6500 KD doors are furnished oversize and require fabrication for final assembly.

| | | | |
|-----------|-------------------------------|-------------|----------|
| R650WHSMP | Single Door Sample with Frame | 16" x 20" | \$160.00 |
| R655WHSMP | French Door Sample with Frame | 28.5" x 20" | \$272.00 |

FINISHES: White (□), Champagne Beige (■), Bronze (■), Black (■), Satin (■), Desert Sand (■)

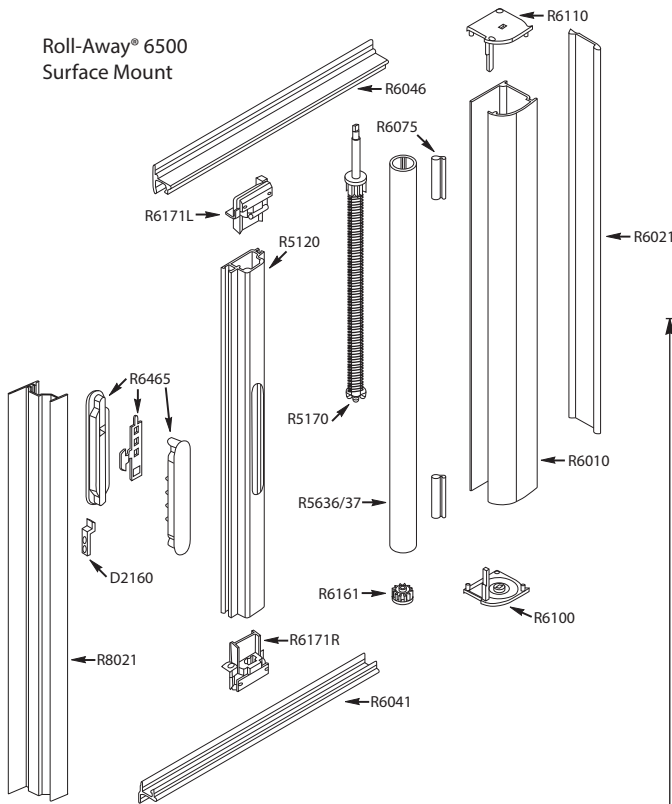
SCREEN: Roll-Away[®] Doors are screened with 18 x 14 Stiff Charcoal Fiber

CUSTOM UNITS CANNOT BE CANCELLED OR RETURNED.

PACKAGING: See [Packaging Chart](#) located in "Shipping Terms and Conditions" to calculate Packaging Fees for Common Carrier orders.

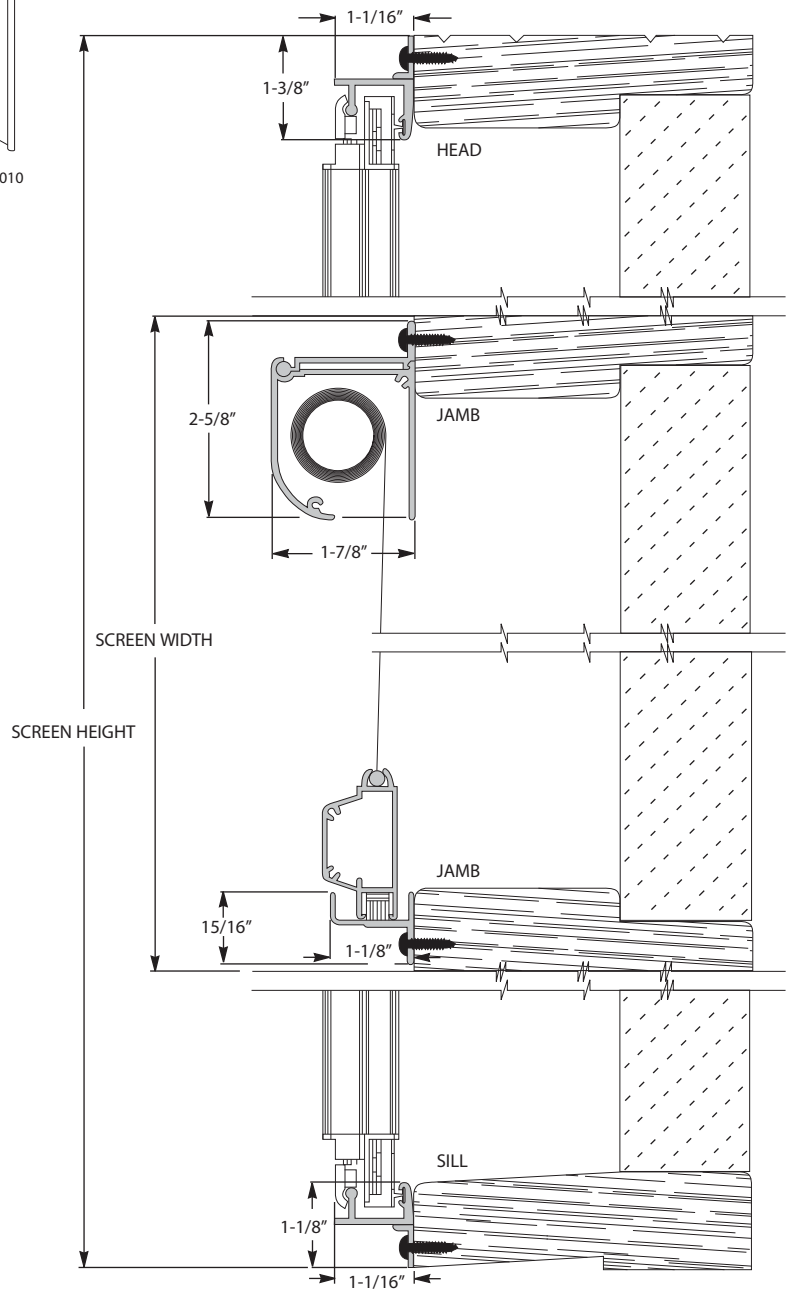
TRU-FRAME®
A name you can build on.

LIST PRICE



**Series 6500 Surface Mount
Parts List**

| | |
|---------------|--------------------------------------|
| R5120## | Drawbar |
| R5636MF | Tube with Screen 82" |
| R5637MF | Tube with Screen 96" |
| R5170 | Spring Roller Assembly |
| R8021## | Facemount Closer |
| D2160 | Stainless Steel Strike & Screw Assm. |
| R6465BL/WH | Handle Assembly with Strike |
| R6010## | Housing |
| R6021## | Surface Mount Hinge |
| R6041## | Sill Track |
| R6046## | Head Track |
| R6075BL/WH | PVC Cushion |
| R6110BL/WH | Housing End Cap - LH |
| R6100BL/WH | Housing End Cap - RH |
| R6161BL/WH | Bushing with Pan |
| R6171(BL/WH)L | Drawbar End Cap Assembly - LH |
| R6171(BL/WH)R | Drawbar End Cap Assembly - RH |
| ## | - Door color |



SECTION R

LIST PRICE

Roll-Away[®] Series 7000 Inside Mount



Roll-Away[®]
Disappearing Screen Door
With MAGNALOCK[™] SEAL &
Easy-To-Grasp Handle

- 1-7/8" Rounded Housing
- 18 x 14 Stiff Charcoal Fiber
- Best screen Solution for French Doors
- Custom colors available
- Easy-To-Grasp Handle
- Magnalock[™] Seal
- Installs inside the jamb

Assembled — Inside Mount

LIST PRICE

| Product Code | Description | Dimensions | LIST PRICE |
|--------------|--------------------|-----------------|------------|
| R7000##F36 | Single Screen Door | Up to 36" x 82" | \$298.00 |
| R7001##F36 | Single Screen Door | Up to 36" x 96" | \$332.00 |
| R7050##F72 | French Door Set | Up to 72" x 82" | \$629.50 |
| R7051##F72 | French Door Set | Up to 72" x 96" | \$698.50 |

ORDERING: The doors above are made to order and require opening measurements to the nearest 1/16". Door handing not required on Series 7000 doors.

KD Kit — Inside Mount

| Product Code | Description | Dimensions | LIST PRICE |
|--------------|--------------------|-----------------|------------|
| R7000##K36 | Single Screen Door | Up to 36" x 82" | \$274.50 |
| R7001##K36 | Single Screen Door | Up to 36" x 96" | \$309.50 |
| R7050##K72 | French Door Set | Up to 72" x 82" | \$572.50 |
| R7051##K72 | French Door Set | Up to 72" x 96" | \$641.50 |

Roll-Away[®] Series 7000 KD doors are furnished oversize and require fabrication for final assembly.

| | | | |
|-------------|-------------------------------|-------------|----------|
| R700WHS MPL | Single Door Sample with Frame | 16" x 20" | \$160.00 |
| R705WHS MPL | French Door Sample with Frame | 28.5" x 20" | \$272.00 |

FINISHES: White (□), Champagne Beige (■), Bronze (■), Black (■), Satin (■), Desert Sand (■)

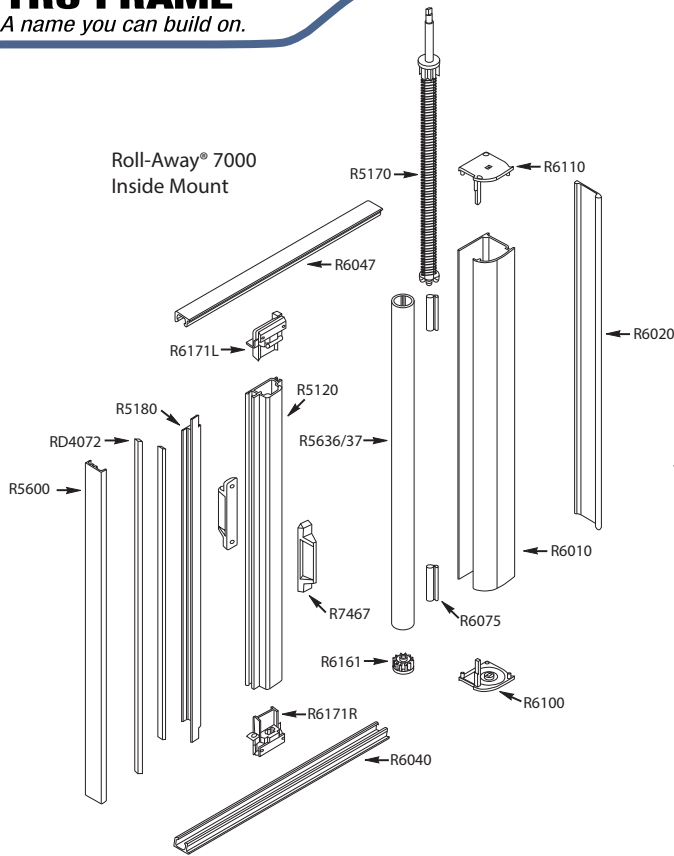
SCREEN: Roll-Away[®] Doors are screened with 18 x 14 Stiff Charcoal Fiber.

CUSTOM UNITS CANNOT BE CANCELLED OR RETURNED.

PACKAGING: See [Packaging Chart](#) located in "Shipping Terms and Conditions" to calculate Packaging Fees for Common Carrier orders.

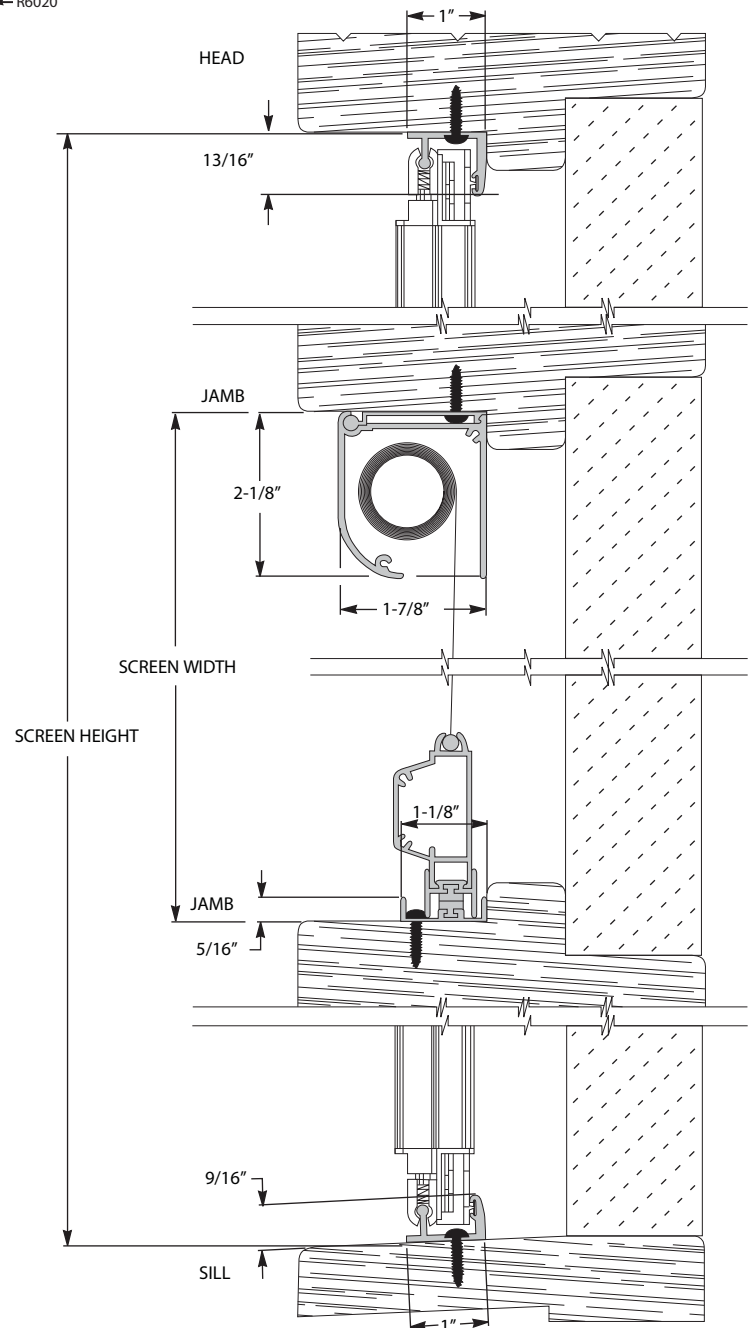
TRU-FRAME®
A name you can build on.

LIST PRICE



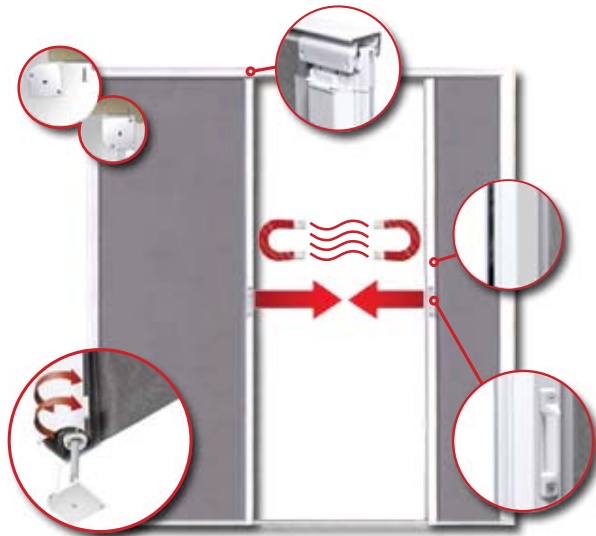
**Series 7000 Inside Mount
Parts List**

| | |
|---------------|-------------------------------|
| R5120## | Drawbar |
| R5636MF | Tube with Screen 82" |
| R5637MF | Tube with Screen 96" |
| R5170 | Spring Roller Assembly |
| R5180## | Astragal |
| R5600## | Closer Jamb |
| R6010## | Housing |
| R6020## | Hinge |
| R6040## | Sill Track |
| R6047## | Head Track |
| R6075BL/WH | PVC Cushion |
| R6110BL/WH | Housing End Cap - LH |
| R6100BL/WH | Housing End Cap - RH |
| R6161BL/WH | Bushing with Pin |
| R6171(BL/WH)L | Drawbar End Cap Assembly - LH |
| R6171(BL/WH)R | Drawbar End Cap Assembly - RH |
| R7467BL/WH | Pull Handle |
| RD4072 | Magnet |
| ## | - Door color |



LIST PRICE

Roll-Away[®] Series 7500 Surface Mount



Roll-Away[®]
Disappearing Screen Door
With MAGNALOCK™ SEAL &
Easy-To-Grasp Handle

- 1-7/8" Rounded Housing
- 18 x 14 Stiff Charcoal Fiber
- Best screen Solution for French Doors
- Custom colors available
- Easy-To-Grasp Handle
- Magnalock™ Seal
- Installs on surface of door opening

Assembled — Surface Mount

LIST PRICE

| Product Code | Description | Dimensions | LIST PRICE |
|--------------|--------------------|-----------------|------------|
| R7500##F36 | Single Screen Door | Up to 36" x 82" | \$303.00 |
| R7501##F36 | Single Screen Door | Up to 36" x 96" | \$338.00 |
| R7550##F72 | French Door Set | Up to 72" x 82" | \$641.50 |
| R7551##F72 | French Door Set | Up to 72" x 96" | \$710.00 |

ORDERING: The doors above are made to order and require opening measurements to the nearest 1/16". Door handing not required on Series 7500 doors.

KD Kit — Surface Mount

| Product Code | Description | Dimensions | LIST PRICE |
|--------------|--------------------|-----------------|------------|
| R7500##K36 | Single Screen Door | Up to 36" x 82" | \$281.00 |
| R7501##K36 | Single Screen Door | Up to 36" x 96" | \$315.00 |
| R7550##K72 | French Door Set | Up to 72" x 82" | \$584.00 |
| R7551##K72 | French Door Set | Up to 72" x 96" | \$653.00 |

Roll-Away[®] Series 7500 KD doors are furnished oversize and require fabrication for final assembly.

| Product Code | Description | Dimensions | LIST PRICE |
|--------------|-------------------------------|-------------|------------|
| R750WHSMP | Single Door Sample with Frame | 16" x 20" | \$160.00 |
| R755WHSMP | French Door Sample with Frame | 28.5" x 20" | \$272.00 |

FINISHES: White (□), Champagne Beige (■), Bronze (■), Black (■), Satin (■), Desert Sand (■)

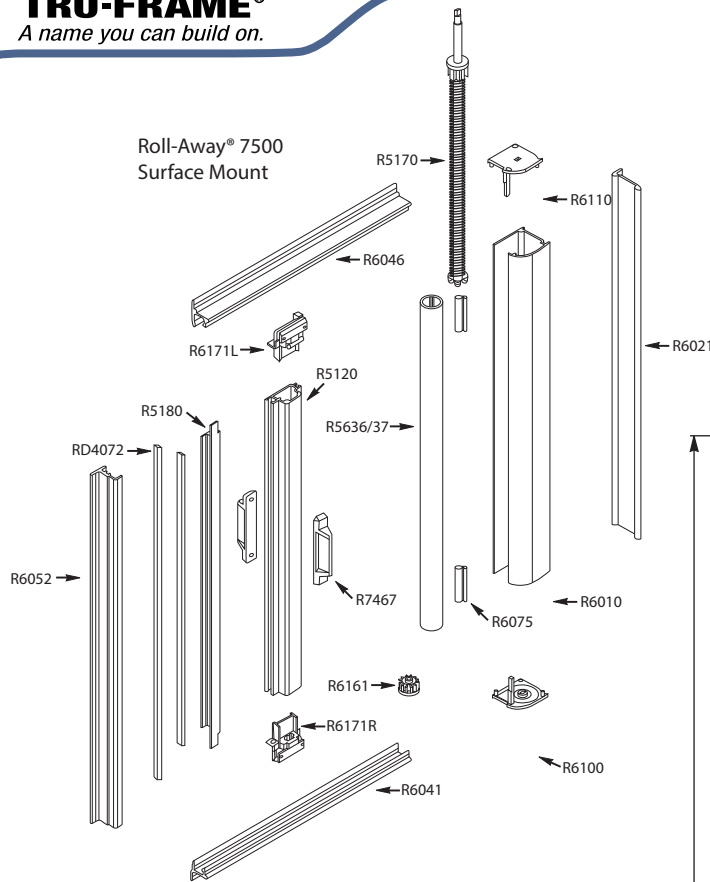
SCREEN: Roll-Away[®] Doors are screened with 18 x 14 Stiff Charcoal Fiber.

CUSTOM UNITS CANNOT BE CANCELLED OR RETURNED.

PACKAGING: See [Packaging Chart](#) located in "Shipping Terms and Conditions" to calculate Packaging Fees for Common Carrier orders.

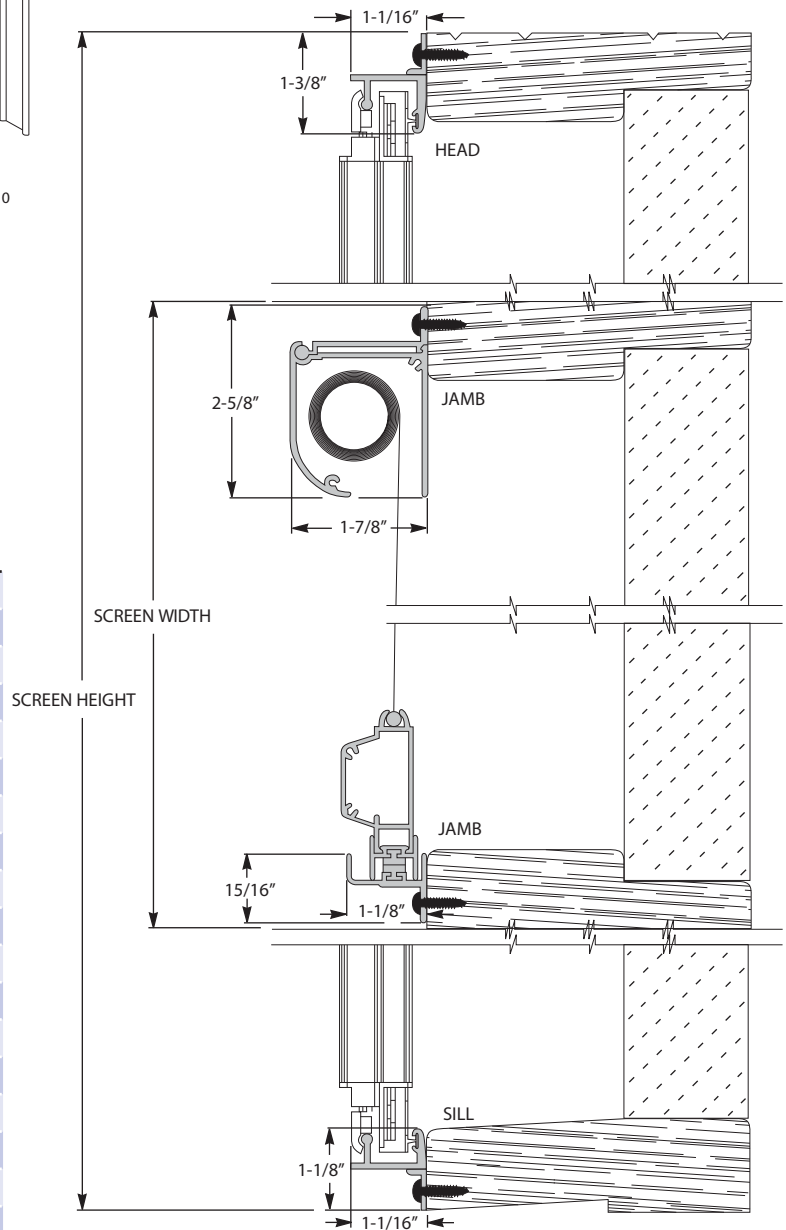
TRU-FRAME®
A name you can build on.

LIST PRICE



**Series 7500 Surface Mount
Parts List**

| | |
|---------------|-------------------------------|
| R5120## | Drawbar |
| R5636MF | Tube with Screen 82" |
| R5637MF | Tube with Screen 96" |
| R5170 | Spring Roller Assembly |
| R5180## | Astragal |
| R6052## | Surface Mount Closer Jamb |
| R6010## | Housing |
| R6021## | Surface Mount Closer Jamb |
| R6041## | Sill Track |
| R6046## | Head Track |
| R6075BL/WH | PVC Cushion |
| R6110BL/WH | Housing End Cap - LH |
| R6100BL/WH | Housing End Cap - RH |
| R6161BL/WH | Bushing with Pin |
| R6171(BL/WH)L | Drawbar End Cap Assembly - LH |
| R6171(BL/WH)R | Drawbar End Cap Assembly - RH |
| R7467BL/WH | Pull Handle |
| RD4072 | Magnet |
| | ## - Door color |



SECTION R

ROLL-AWAY® 2000 Series Order Form

Fax Number: 888-526-4329

DATE: _____

DEALER: _____

JOB NAME/PO#: _____

ACCOUNT NO.: _____

SOLD TO:

SHIP TO:

ORDERED BY: _____

PHONE NO.: _____

FAX NO.: _____

2-3/8" Canopy
18x14x.009 Brite Bronze Wire
Dual Locking Devices Built Into Drawbar
Constructed of 6063-T-5 Aluminum Alloy

| | QTY | PART NO. | DRAWBAR | FINISH | WIDTH | HEIGHT | NOTES |
|----|-----|----------|---------|--------|-------|--------|-------|
| 1 | | | | | | | |
| 2 | | | | | | | |
| 3 | | | | | | | |
| 4 | | | | | | | |
| 5 | | | | | | | |
| 6 | | | | | | | |
| 7 | | | | | | | |
| 8 | | | | | | | |
| 9 | | | | | | | |
| 10 | | | | | | | |

Example - R21WBZ2424

| CLASS | DRAWBAR | FINISH | SCREEN TYPE | SIZE |
|-------|-------------------------------|---------------------------|-------------------------------------|--------------------------------|
| R | 20 = Standard 21 = Reverse | BR = Bronze WH = White | BZ = 18 x 14 x .009 Brite Bronze | Dimensions from price list. |

MEASURE TO NEAREST 1/16" FOR OPENING WIDTH AND HEIGHT.

3" CUT-OUTS — MEASURE HEIGHT FROM SILL TO CENTER LINE OF CUT-OUT TO CLEAR CASEMENT FASTENER AND STRIKE PLATE. SPECIFY LEFT OR RIGHT, AS FACING FROM THE INSIDE OUT.

TRU-FRAME®
A name you can build on.

ROLL-AWAY® 4000 Series Order Form
Fax Number: 888-526-4329

1-7/8" Canopy
18x14x.013 Rigid Charcoal Fiberglass
Low Profile Designed Housing
Spring Tension Adjuster
Mesh Lock™
Magnetic Guide Locks
Smooth Gliding Weather-Stripped Drawbar

DATE: _____

DEALER: _____

JOB NAME/PO#: _____

ACCOUNT NO.: _____

SOLD TO:

SHIP TO:

ORDERED BY: _____

SHIP VIA: _____

PHONE NO.: _____

FAX NO.: _____

| | QTY | CLASS | DRAWBAR | FINISH | SCREEN | ACTUAL WIDTH | ACTUAL HEIGHT | NOTES |
|--------------------|-----|-------|---------|--------|--------|--------------|---------------|-------|
| 1 | | | | | | | | |
| 2 | | | | | | | | |
| 3 | | | | | | | | |
| 4 | | | | | | | | |
| 5 | | | | | | | | |
| 6 | | | | | | | | |
| 7 | | | | | | | | |
| 8 | | | | | | | | |
| 9 | | | | | | | | |
| 10 | | | | | | | | |
| Sample Part Number | | | | | | | | |
| | | R | 40 | WH | 01 | 24 | 36 | |

| CLASS | DRAWBAR | FINISH | SCREEN TYPE | SIZE |
|-------|-------------------------------|---|--|-----------------------------|
| R | 40 = Standard 41 = Reverse | BR = Bronze WH = White SA = Satin BL = Black CB = Cham. Beige DS = Desert Sand | 01 = 18 x 14 Rigid Charcoal Fiberglass | Dimensions from price list. |

Screen Option: 20 x 20 BetterVue™ Screening.
Measure to nearest 1/16" for Opening Width & Height.



Visit us at www.rollaway.com for more information

ROLL-AWAY® 6000/6500 Series Order Form

Fax Number: 888-526-4329

DATE: _____

DEALER: _____

JOB NAME/PO#: _____

ACCOUNT NO.: _____

1-7/8" Rounded Housing
18x14x.013 Rigid Charcoal Fiber
Special Wire Options Available
Die Cast Latch System
Optional Inside or Surface Mount
Smooth Gliding Roller System
Custom Colors Available

SOLD TO:

SHIP TO:

ORDERED BY: _____

SHIP VIA: _____

PHONE NO.: _____

FAX NO.: _____

| | QTY | I/O MOUNT | STYLE/SIZE | FINISH | TYPE | WIDTH | HEIGHT | HANDING |
|----|-----|-----------|------------|--------|------|-------|--------|---------|
| 1 | | | | | | | | |
| 2 | | | | | | | | |
| 3 | | | | | | | | |
| 4 | | | | | | | | |
| 5 | | | | | | | | |
| 6 | | | | | | | | |
| 7 | | | | | | | | |
| 8 | | | | | | | | |
| 9 | | | | | | | | |
| 10 | | | | | | | | |

| CLASS | I/O MOUNT | STYLE/SIZE | FINISH | TYPE | HANDING |
|-------|--|--|---|-----------------------------|--|
| R | 60 = Inside Mount 65 = Surface Mount* | 00 = Singles up to 36x82 01 = Singles up to 36x96 50 = French Drs up to 72x82 51 = French Drs up to 72x96 | WH = White CB = Champ. Beige BR = Bronze BL = Black SA = Satin Anodized DS = Desert Sand | F = Assembled K = KD Kit | LH = Housing on Left RH = Housing on Right OX = French Set Right Door Active XO = French Set Left Door Active |

*Surface mount measured from outside fin to fin.

****Handing viewed from outside looking in.**

SAMPLE PART NUMBERS:

R6000WHF36 = Single door, inside mount, up to 36" x 82", white finish, assembled. (Assembled doors are cut to size & shipped KD)
R6551BLK72 = French door set, surface mount, size 72" x 96", black finish, KD kit. (No specials on KD doors)

For inside mount, provide opening sizes per details on page 42. Surface mount units require an Outside Fin-to-Fin measurement.

When placing order, please specify if Roll-Away® Screen Door will mount on interior of main door, and the handing (as viewed from the exterior).

TRU-FRAME®
A name you can build on.

ROLL-AWAY™ 7000/7500 Series Order Form
Fax Number: 888-526-4329

DATE: _____

DEALER: _____

JOB NAME/PO#: _____

ACCOUNT NO.: _____

1-7/8" Rounded Housing
18x14x.013 Rigid Charcoal Fiber
Special Wire Options Available
Optional Inside or Surface Mount
Custom Colors Available
Easy-to-Grasp Handle
Magnalock™ Seal

SOLD TO:

SHIP TO:

ORDERED BY: _____

SHIP VIA: _____

PHONE NO.: _____

FAX NO.: _____

| | QTY | I/O MOUNT | STYLE/SIZE | FINISH | TYPE | WIDTH | HEIGHT | HANDING |
|----|-----|-----------|------------|--------|------|-------|--------|---------|
| 1 | | | | | | | | |
| 2 | | | | | | | | |
| 3 | | | | | | | | |
| 4 | | | | | | | | |
| 5 | | | | | | | | |
| 6 | | | | | | | | |
| 7 | | | | | | | | |
| 8 | | | | | | | | |
| 9 | | | | | | | | |
| 10 | | | | | | | | |

| CLASS | I/O MOUNT | STYLE/SIZE | FINISH | TYPE | HANDING |
|-------|--|--|---|-----------------------------|--|
| R | 70 = Inside Mount 75 = Surface Mount* | 00 = Singles up to 36x82 01 = Singles up to 36x96 50 = French Drs up to 72x82 51 = French Drs up to 72x96 | WH = White CB = Champ. Beige BR = Bronze BL = Black SA = Satin Anodized DS = Desert Sand | F = Assembled K = KD Kit | LH = Housing on Left RH = Housing on Right OX = French Set Right Door Active XO = French Set Left Door Active **Handing viewed from outside looking in. |

SAMPLE PART NUMBERS:

R7000WHF36 = Single door, inside mount, up to 36" x 82", white finish, assembled. (Assembled doors are cut to size & shipped KD)
R7551BLK72 = French door set, surface mount, size 72" x 96", black finish, KD kit. (No specials on KD doors)

For inside mount, provide opening sizes per details on pages 46. Surface mount units require an Outside Fin-to-Fin measurement.

When placing order, please specify if Roll-Away® Screen Door will mount on interior of main door, and the handing (as viewed from the exterior).



Visit us at www.rollaway.com for more information