



TRU-FRAME®
A name you can build on.

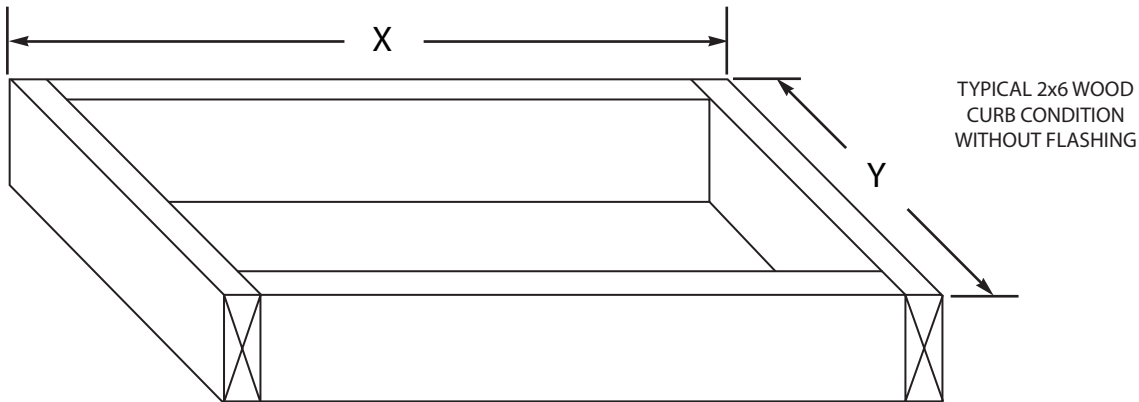
Skylight Special Size Order Form

Fax Number: 888-526-4329

DATE: _____

DEALER NAME: _____

JOB NAME/PO#: _____



SPECIAL SKYLIGHT DIMENSIONS

(Fill in blanks)

"X" OUTSIDE CURB DIMENSION: _____ " (To the nearest 1/8")

"Y" OUTSIDE CURB DIMENSION: _____ " (To the nearest 1/8")

SPECIAL SKYLIGHT OPTIONS

(Check one selection for each option)

SKYLIGHT MODEL:

- Fixed
- Open Air
- Hinge Long Side
- Hinge Short Side

FRAME FINISH:

- Mill Finish
- Bronze Painted
- Other Finishes Available (Call for Quote)

DOMES OPTIONS:

Single Dome:

- Clear
- White
- Bronze

Double Domes:

- Clear/Clear
- White/Clear
- Bronze/Clear
- Other

GLASS OPTIONS:

Single (Laminated):

- Clear
- Other

Insulated (Tempered/Laminated):

- Clear/Clear
- Bronze/Clear
- Low-E2/Clear
- Solar Cool Bronze/Clear

NEXT LARGEST STANDARD SIZE SKYLIGHT (LIST PRICE):	\$ _____
DEDUCT DISCOUNT:	- \$ _____
SPECIAL SIZE SKYLIGHT SET-UP CHARGE (\$25.00 NET ADD):	+ \$ _____
TOTAL PRICE:	\$ _____

**NOTE: Recommend a minimum 3/12 roof pitch for proper weeping.
Flat roof installations NOT recommended.**

**ORDER FORM
SKYLIGHTS**