



**TRU-FRAME®**  
A name you can build on.

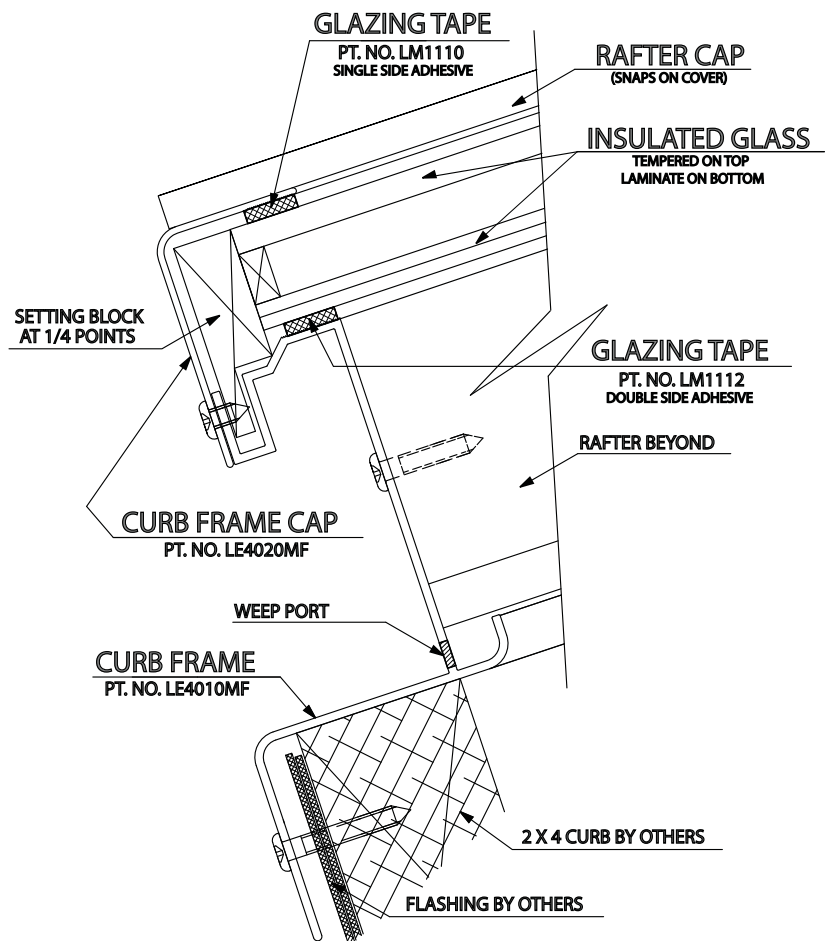
**R. Lang Company**

Tel 800-677-5264 | Fax 888-526-4329

## LT SERIES CUSTOM SKYLIGHT Insulated Glass Field Glazing Instructions

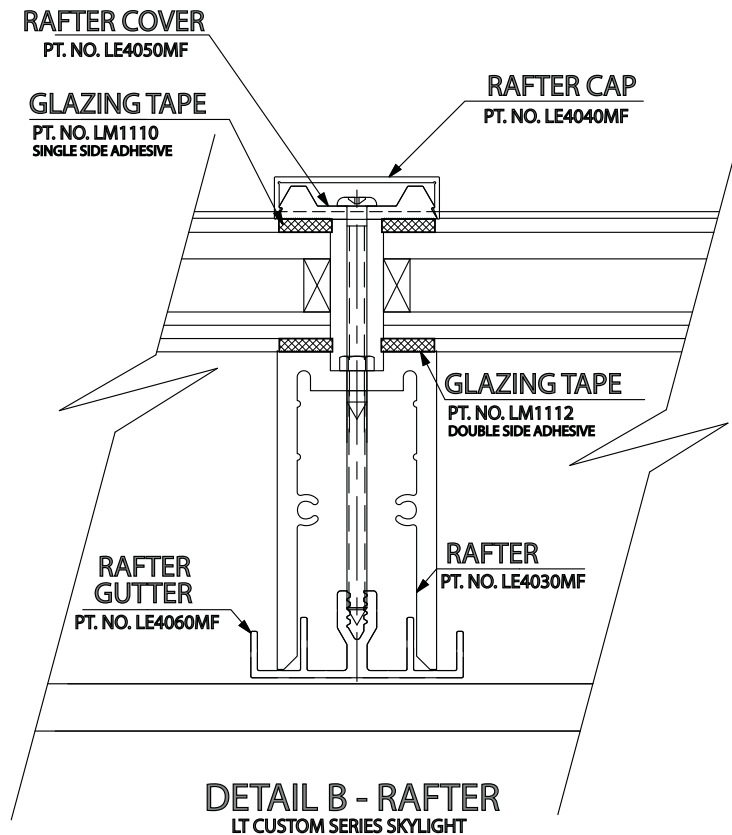
(Please read all instructions and notes through carefully before beginning)

1. Install the skylight frame to the wood curb as with any other skylight installation, to include a watertight seal between the wood curb and the skylight frame and proper roof to curb flashing. Nails or screws for curb mounting are to be provided by the installer.
2. Apply the double adhesive sided glazing tape to the serrated surfaces on the curb for the glass placement. Peel the adhesive backing away from all corners about 2" and fold outward. Do not remove the entire backing at this point. This will be removed after the glass is in place (Step 5).
3. Apply the single sided glazing tape to the serrated surface on the inside of the Curb Frame Cap and set aside.
4. For insulated units, the tempered glass (1/4" solid lite) must always face to the exterior and the laminated glass (two 1/8" lites) must face the interior of the home (for safety reasons).
5. Place the insulated glass over the taped area and check for balanced positioning. Be sure that the tempered glass is facing up. Pull the backing tape from the corners outward to remove.
6. On the down slope side, position the setting blocks at 1/4 points on the glass to keep the glass from sliding. Note: The Curb Cap will keep the setting blocks in place after the cap is installed.
7. Place the Curb Cap on the glass and fasten with #8 x 1/2" pan screws (Detail A). Apply firm downward pressure on the top of the Curb Cap when fastening the screws. The screws should be placed no more than 6" from the ends and no more than 12" apart on center. Vertical location will be 1/2" up from the bottom edge of the cap frame.



**DETAIL A  
CURB FRAME AT RAFTER**

- Apply single sided glazing tape to both serrated surfaces on the Rafter Cover. This cover is the same length as the main rafter in the skylight curb. Position over insulated glass and rafter (Detail B). Be sure Rafter Cover fits between the curb cap; then fasten to the rafter with the # 10 x 2 ½" screws provided.



**Note:**

*Do not over tighten the screws as they will cause the insulated glass unit to crack. Firm hand pressure while fastening is all that is necessary.*

- The Rafter Cap is snapped over the Rafter Cover while overlapping the Curb Cap by 1.125" on each end. The Rafter Cap is notched on each end to allow clearance for this overlap. Black end cap fillers are provided to insert into the Rafter Cap that rest will rest on the main Curb Cap frame. Fasten to the Curb Cap frame with a #8 x 1" screw in the holes provided on the ends.

### Important Notes and Additional Information

- CHECK THE LOCAL BUILDING CODES since this procedure may require alterations to meet local specifications.
- Be certain to disconnect all electric power and relocate any wiring within the proposed skylight area before cutting into the roof or ceiling.
- Use caution when carrying the skylight to the roof. It is recommended that you plan your installation for a calm, dry day.
- It is highly recommended that safety goggles be worn during installation procedures.
- Clean your skylight with mild detergent and water, then rinse well. Dry with a soft, damp cloth. Avoid aromatic solvents and abrasives.
- Mastic or paint can be removed using a good grade of naphtha, alcohol, or Kerosene. Immediately flush skylight with copious amounts of water.
- Most minor scratches can be removed with a thin coat of auto paste wax and a light buffing with a clean, soft cloth
- R. Lang Company does not, under any circumstances, warrant the INSTALLATION of its products. These instructions are to be used as a guideline to a successful installation by others.

**WARNING:** THE USE OF SOLVENTS, INCLUDING ACETONE, MINERAL SPIRITS, OR OTHER SUCH PAINT THINNERS WHEN CLEANING CAN PERMANENTLY DAMAGE YOUR SKYLIGHT AND WILL VOID YOUR WARRANTY.

**NOTE:** Recommend a minimum 3/12 roof pitch for proper weeping.  
Flat roof installations NOT recommended.